

DOMESTIC POWER SOURCES

Domestic Desk-Top



Domestic Wall Plug-In



Output power plug compatible for use with Switchcraft 722A or PC-722A

Input for All Domestic Models is 120 Volts A.C., 60 Hz.

| SEC. | STANCOR PART NUMBER | Rated Output | | | Regulated/Unregulated | Case Style | DIMENSIONS | | | | | | Weight (lbs.) | Output Plug 2.1x5.5mm Inside Polarity | Agency * Certification |
|------|---------------------|--------------|-------|------|-----------------------|--------------|-----------------|-------------|----------------|------------|-----------------|-------------|---------------|---------------------------------------|------------------------|
| | | Volts | AC/DC | mA | | | Length (inches) | Length (mm) | Width (inches) | Width (mm) | Height (inches) | Height (mm) | | | |
| A | STA-4125T | 2.5 | DC | 500 | Unregulated | Wall Plug-in | 2.5 | 63.0 | 2.0 | 51.0 | 1.6 | 41.0 | 0.47 | Negative | UL/CSA |
| | STA-4130 | 3.0 | DC | 350 | Regulated | Wall Plug-in | 2.5 | 63.0 | 2.0 | 51.0 | 1.6 | 41.0 | 0.48 | Negative | UL |
| | STA-3530 | 3.0 | DC | 500 | Unregulated | Wall Plug-in | 2.2 | 55.0 | 1.8 | 44.6 | 1.5 | 37.2 | 0.37 | Negative | UL/CSA |
| | STA-3540 | 4.4 | DC | 400 | Unregulated | Wall Plug-in | 2.2 | 55.0 | 1.8 | 44.6 | 1.5 | 37.2 | 0.35 | Negative | UL/CSA |
| B | STA-3545B | 4.5 | AC | 300 | Unregulated | Wall Plug-in | 2.2 | 55.0 | 1.8 | 44.6 | 1.5 | 37.2 | 0.34 | ★ | UL/CSA |
| | STA-4850 | 5.0 | DC | 600 | Regulated | Wall Plug-in | 3.5 | 89.0 | 2.4 | 61.0 | 1.9 | 47.0 | 0.90 | Negative | UL/CSA |
| | STA-3560B | 6.0 | DC | 100 | Unregulated | Wall Plug-in | 2.2 | 55.0 | 1.8 | 44.6 | 1.5 | 37.2 | 0.35 | Negative | UL/CSA |
| | STA-3560 | 6.0 | DC | 200 | Unregulated | Wall Plug-in | 2.2 | 55.0 | 1.8 | 44.6 | 1.5 | 37.2 | 0.35 | Negative | UL/CSA |
| C | STA-3560A | 6.0 | DC | 300 | Unregulated | Wall Plug-in | 2.2 | 55.0 | 1.8 | 44.6 | 1.5 | 37.2 | 0.35 | Negative | UL/CSA |
| | STA-4160 | 6.0 | DC | 600 | Unregulated | Wall Plug-in | 2.5 | 63.0 | 2.0 | 51.0 | 1.6 | 41.0 | 0.47 | Negative | UL/CSA |
| | STA-4160A | 6.0 | DC | 800 | Unregulated | Wall Plug-in | 2.5 | 63.0 | 2.0 | 51.0 | 1.6 | 41.0 | 0.56 | Negative | UL/CSA |
| | STA-4860 | 6.0 | DC | 1000 | Unregulated | Wall Plug-in | 2.8 | 70.5 | 2.3 | 57.0 | 1.8 | 44.6 | 0.84 | Negative | UL/CSA |
| D | STA-4860-4 | 6.0 | DC | 1000 | Unregulated | Wall Plug-in | 2.8 | 70.5 | 2.3 | 57.0 | 1.8 | 44.6 | 0.84 | Positive | UL/CSA |
| | STA-4860A | 6.0 | DC | 1200 | Unregulated | Wall Plug-in | 2.8 | 70.5 | 2.3 | 57.0 | 1.8 | 44.6 | 0.90 | Negative | UL/CSA |
| | STA-5760 | 6.0 | DC | 2000 | Unregulated | Wall Plug-in | 3.4 | 86.1 | 2.6 | 66.5 | 2.2 | 55.0 | 1.50 | Negative | UL/CSA |
| | STA-5760A | 6.0 | AC | 3300 | Unregulated | Desk-Top | 3.4 | 86.1 | 2.6 | 66.5 | 2.2 | 55.0 | 1.67 | ★ | UL |
| E | STA-3575A | 7.5 | DC | 300 | Unregulated | Wall Plug-in | 2.2 | 55.0 | 1.8 | 44.6 | 1.5 | 37.2 | 0.36 | Negative | UL/CSA |
| | STA-4875 | 7.5 | DC | 1000 | Unregulated | Wall Plug-in | 2.8 | 70.5 | 2.3 | 57.0 | 1.8 | 44.6 | 0.84 | Negative | UL/CSA |
| | STA-4875-4 | 7.5 | DC | 1000 | Unregulated | Wall Plug-in | 2.8 | 70.5 | 2.3 | 57.0 | 1.8 | 44.6 | 0.84 | Positive | UL/CSA |
| | STA-4175A | 7.5 | DC | 500 | Unregulated | Wall Plug-in | 2.5 | 63.0 | 2.0 | 51.0 | 1.6 | 41.0 | 0.50 | Negative | UL/CSA |
| F | STA-3590 | 9.0 | DC | 200 | Unregulated | Wall Plug-in | 2.2 | 55.0 | 1.8 | 44.6 | 1.5 | 37.2 | 0.35 | Negative | UL/CSA |
| | STA-4190C | 9.0 | DC | 200 | Regulated | Wall Plug-in | 2.5 | 63.0 | 2.0 | 51.0 | 1.6 | 41.0 | 0.48 | Negative | UL |
| | STA-3590A | 9.0 | DC | 300 | Unregulated | Wall Plug-in | 2.2 | 55.0 | 1.8 | 44.6 | 1.5 | 37.2 | 0.35 | Negative | UL/CSA |
| | STA-4190B | 9.0 | AC | 300 | Unregulated | Wall Plug-in | 2.5 | 63.0 | 2.0 | 51.0 | 1.6 | 41.0 | 0.47 | ★ | UL/CSA |
| G | STA-4890B | 9.0 | DC | 400 | Regulated | Wall Plug-in | 3.5 | 89.0 | 2.4 | 61.0 | 1.9 | 47.0 | 0.90 | Negative | UL/CSA |
| | STA-4190A | 9.0 | DC | 500 | Unregulated | Wall Plug-in | 2.5 | 63.0 | 2.0 | 51.0 | 1.6 | 41.0 | 0.56 | Negative | UL/CSA |
| | STA-4190D | 9.0 | AC | 500 | Unregulated | Wall Plug-in | 2.5 | 63.0 | 2.0 | 51.0 | 1.6 | 41.0 | 0.45 | ★ | UL/CSA |
| | STA-4190F | 9.0 | DC | 700 | Unregulated | Wall Plug-in | 2.5 | 63.0 | 2.0 | 51.0 | 1.6 | 41.0 | 0.62 | Negative | UL/CSA |
| H | STA-4890 | 9.0 | DC | 1000 | Unregulated | Wall Plug-in | 2.8 | 70.5 | 2.3 | 57.0 | 1.8 | 44.6 | 1.00 | Negative | UL/CSA |
| | STA-4890A | 9.0 | DC | 1200 | Unregulated | Wall Plug-in | 2.8 | 70.5 | 2.3 | 57.0 | 1.8 | 44.6 | 1.03 | Negative | UL/CSA |
| | STA-4890A-4 | 9.0 | DC | 1200 | Unregulated | Wall Plug-in | 2.8 | 70.5 | 2.3 | 57.0 | 1.8 | 44.6 | 1.03 | Positive | UL/CSA |
| | STA-5790 | 9.0 | AC | 3400 | Unregulated | Desk-Top | 3.4 | 86.1 | 2.6 | 66.5 | 2.2 | 55.0 | 1.84 | ★ | UL/CSA |

★ AC output

For outline drawings refer to page 35.

* Agency Certification Note:  U.L. 1310 Listed or U.L. 1012 Listed

 CSA Certified

DOMESTIC POWER SOURCES

Domestic Desk-Top



Domestic Wall Plug-In



Output power plug compatible for use with Switchcraft 722A or PC-722A.

Input for All Domestic Models is 120 Volts A.C., 60 Hz.

| SEC. | STANCOR PART NUMBER | Rated Output | | | Regulated/ Unregulated | Case Style | DIMENSIONS | | | | | | Weight (lbs.) | Output Plug 2.1x5.5mm Inside Polarity | Agency * Certification |
|------|---------------------|--------------|-------|------|---------------------------|--------------|--------------------|-------|-------------------|------|--------------------|------|------------------|---|---------------------------|
| | | Volts | AC/DC | mA | | | Length (inches) | (mm) | Width (inches) | (mm) | Height (inches) | (mm) | | | |
| A | STA-4110A | 10.0 | DC | 300 | Regulated | Wall Plug-in | 2.5 | 63.0 | 2.0 | 51.0 | 1.6 | 41.0 | 0.57 | Negative | UL/CSA |
| | STA-4110 | 10.0 | AC | 700 | Unregulated | Wall Plug-in | 2.5 | 63.0 | 2.0 | 51.0 | 1.6 | 41.0 | 0.55 | ★ | UL/CSA |
| | STA-3512 | 12.0 | DC | 50 | Unregulated | Wall Plug-in | 2.2 | 55.0 | 1.8 | 44.6 | 1.5 | 37.2 | 0.35 | Negative | UL/CSA |
| | STA-3512C | 12.0 | DC | 100 | Unregulated | Wall Plug-in | 2.2 | 55.0 | 1.8 | 44.6 | 1.5 | 37.2 | 0.35 | Negative | UL/CSA |
| B | STA-300R | 12.0 | DC | 200 | Regulated | Wall Plug-in | 2.5 | 63.0 | 2.0 | 51.0 | 1.6 | 41.0 | 0.50 | Negative | UL/CSA |
| | STA-3512B | 12.0 | DC | 200 | Unregulated | Wall Plug-in | 2.2 | 55.0 | 1.8 | 44.6 | 1.5 | 37.2 | 0.35 | Negative | UL/CSA |
| | STA-4112B | 12.0 | DC | 300 | Unregulated | Wall Plug-in | 2.5 | 63.0 | 2.0 | 51.0 | 1.6 | 41.0 | 0.50 | Negative | UL/CSA |
| | STA-4112 | 12.0 | DC | 400 | Unregulated | Wall Plug-in | 2.5 | 63.0 | 2.0 | 51.0 | 1.6 | 41.0 | 0.49 | Negative | UL/CSA |
| C | STA-4112A | 12.0 | AC | 500 | Unregulated | Wall Plug-in | 2.5 | 63.0 | 2.0 | 51.0 | 1.6 | 41.0 | 0.49 | ★ | UL/CSA |
| | STA-4112C | 12.0 | DC | 500 | Unregulated | Wall Plug-in | 2.5 | 63.0 | 2.0 | 51.0 | 1.6 | 41.0 | 0.62 | Negative | UL/CSA |
| | STA-4812D | 12.0 | DC | 600 | Unregulated | Wall Plug-in | 2.8 | 70.5 | 2.3 | 57.0 | 1.8 | 44.6 | 0.84 | Negative | UL/CSA |
| | STA-4812B | 12.0 | AC | 850 | Unregulated | Wall Plug-in | 2.8 | 70.5 | 2.3 | 57.0 | 1.8 | 44.6 | 0.83 | ★ | UL |
| D | STA-4812A-4 | 12.0 | DC | 1000 | Unregulated | Wall Plug-in | 2.8 | 70.5 | 2.3 | 57.0 | 1.8 | 44.6 | 1.00 | Positive | UL/CSA |
| | STA-5712 | 12.0 | DC | 1200 | Unregulated | Wall Plug-in | 3.4 | 86.1 | 2.6 | 66.5 | 2.2 | 55.0 | 1.46 | Negative | UL/CSA |
| | STA-5712-4 | 12.0 | DC | 1200 | Unregulated | Wall Plug-in | 3.4 | 86.1 | 2.6 | 66.5 | 2.2 | 55.0 | 1.46 | Positive | UL/CSA |
| E | STA-6612 | 12.0 | DC | 2000 | Unregulated | Desk-Top | 4.8 | 121.1 | 3.1 | 80.0 | 2.5 | 64.5 | 2.46 | Negative | UL/CSA |
| | STA-6612B | 12.0 | DC | 3000 | Unregulated | Desk-Top | 4.8 | 121.1 | 3.1 | 80.0 | 2.5 | 64.5 | 2.80 | Negative | UL/CSA |
| | STA-5713 | 13.5 | DC | 1300 | Unregulated | Wall Plug-in | 3.4 | 86.1 | 2.6 | 66.5 | 2.2 | 55.0 | 1.43 | Negative | UL/CSA |
| | STA-5713A | 13.5 | DC | 1700 | Unregulated | Wall Plug-in | 3.4 | 86.1 | 2.6 | 66.5 | 2.2 | 55.0 | 1.66 | Negative | UL/CSA |
| F | STA-5713AC | 13.5 | DC | 1700 | Unregulated | Desk-Top | 3.4 | 86.1 | 2.6 | 66.5 | 2.2 | 55.0 | 1.85 | Negative | UL/CSA |
| | STA-4814 | 14.5 | DC | 800 | Unregulated | Wall Plug-in | 2.8 | 70.5 | 2.3 | 57.0 | 1.8 | 44.6 | 0.85 | Negative | UL/CSA |
| | STA-4815 | 15.0 | DC | 600 | Unregulated | Wall Plug-in | 2.8 | 70.5 | 2.3 | 57.0 | 1.8 | 44.6 | 0.85 | Negative | UL/CSA |
| | STA-5715 | 15.0 | DC | 1000 | Unregulated | Wall Plug-in | 3.4 | 86.1 | 2.6 | 66.5 | 2.2 | 55.0 | 1.50 | Negative | UL/CSA |
| G | STA-5715-4 | 15.0 | DC | 1000 | Unregulated | Wall Plug-in | 3.4 | 86.1 | 2.6 | 66.5 | 2.2 | 55.0 | 1.50 | Positive | UL/CSA |
| | STA-6615 | 15.0 | DC | 2000 | Unregulated | Desk-Top | 4.8 | 121.1 | 3.1 | 80.0 | 2.5 | 64.5 | 2.75 | Negative | UL/CSA |
| | STA-4116 | 16.0 | AC | 250 | Unregulated | Wall Plug-in | 2.5 | 63.0 | 2.0 | 51.0 | 1.6 | 41.0 | 0.49 | ★ | UL/CSA |
| | STA-4118 | 18.0 | AC | 300 | Unregulated | Wall Plug-in | 2.5 | 63.0 | 2.0 | 51.0 | 1.6 | 41.0 | 0.48 | ★ | UL |
| H | STA-6618 | 18.0 | DC | 2000 | Unregulated | Desk-Top | 4.8 | 121.1 | 3.1 | 80.0 | 2.5 | 64.5 | 2.74 | Negative | UL/CSA |
| | STA-6618-4 | 18.0 | DC | 2000 | Unregulated | Desk-Top | 4.8 | 121.1 | 3.1 | 80.0 | 2.5 | 64.5 | 2.74 | Positive | UL/CSA |
| | STA-3518 | 18.5 | DC | 80 | Unregulated | Wall Plug-in | 2.2 | 55.0 | 1.8 | 44.6 | 1.5 | 37.2 | 0.35 | Negative | UL/CSA |
| | STA-4120 | 20.0 | DC | 280 | Unregulated | Wall Plug-in | 2.5 | 63.0 | 2.0 | 51.0 | 1.6 | 41.0 | 0.55 | Negative | UL/CSA |
| | STA-4820 | 20.0 | AC | 700 | Unregulated | Wall Plug-in | 2.8 | 70.5 | 2.3 | 57.0 | 1.8 | 44.6 | 1.00 | ★ | UL |

★ AC Output

For outline drawings refer to page 35.

* Agency Certification Note:  U.L. 1310 Listed or U.L. 1012 Listed

 CSA Certified

DOMESTIC POWER SOURCES

Domestic Desk-Top



Domestic Wall Plug-In



Output power plug compatible for use with Switchcraft 722A or PC-722A.

Input for All Domestic Models is 120 Volts A.C., 60 Hz.

| SEC. | STANCOR PART NUMBER | Rated Output | | | Regulated/Unregulated | Case Style | DIMENSIONS | | | Weight (lbs.) | Output Plug [®] 2.1x5.5mm Inside Polarity | Agency * Certification | | | |
|------|---------------------|--------------|-------|------|-----------------------|--------------|----------------------|---------------------|----------------------|---------------|--|------------------------|------|----------|--------|
| | | Volts | AC/DC | mA | | | Length (inches) (mm) | Width (inches) (mm) | Height (inches) (mm) | | | | | | |
| A | STA-3524 | 24.0 | DC | 50 | Unregulated | Wall Plug-in | 2.2 | 55.0 | 1.8 | 44.6 | 1.5 | 37.2 | 0.35 | Negative | UL/CSA |
| | STA-4124 | 24.0 | AC | 300 | Unregulated | Wall Plug-in | 2.5 | 63.0 | 2.0 | 51.0 | 1.6 | 41.0 | 0.55 | ★ | UL/CSA |
| | STA-4824B | 24.0 | AC | 450 | Unregulated | Wall Plug-in | 2.8 | 70.5 | 2.2 | 56.0 | 1.8 | 44.6 | 0.86 | ★ | UL/CSA |
| B | STA-4824AT | 24.0 | DC | 600 | Unregulated | Wall Plug-in | 3.5 | 89.0 | 2.4 | 61.0 | 1.9 | 47.0 | 1.15 | Negative | UL/CSA |
| | STA-5724AT | 24.0 | DC | 1000 | Unregulated | Wall Plug-in | 3.4 | 86.1 | 2.6 | 66.5 | 2.2 | 55.0 | 1.57 | Negative | UL/CSA |
| | STA-5724AT-4 | 24.0 | DC | 1000 | Unregulated | Wall Plug-in | 3.4 | 86.1 | 2.6 | 66.5 | 2.2 | 55.0 | 1.57 | Positive | UL/CSA |
| | STA-6624 | 24.0 | DC | 1500 | Unregulated | Desk-Top | 4.8 | 121.1 | 3.1 | 80.0 | 2.5 | 64.5 | 2.77 | Negative | UL/CSA |

★ AC Output

For outline drawings refer to page 35.

* Agency Certification Note:  U.L. 1310 Listed or U.L. 1012 Listed

 CSA Certified (File LR67965)

Desk-Top Regulated Series

| SEC. | STANCOR PART NUMBER | Rated Output | | | Regulated/Unregulated | Case Style | DIMENSIONS | | | Weight (lbs.) | Output Connector Diagram | Agency* Certification | | | |
|------|---------------------|--------------|-------|------|-----------------------|------------|----------------------|---------------------|----------------------|---------------|--------------------------|-----------------------|------|--------|----|
| | | Volts | AC/DC | mA | | | Length (inches) (mm) | Width (inches) (mm) | Height (inches) (mm) | | | | | | |
| C | STAR-9001 | +5 | DC | 1000 | Regulated | Desk-top | 4.8 | 121.1 | 3.1 | 80.0 | 2.5 | 64.5 | 2.20 | Fig. 1 | UL |
| | STAR-9004 | +12 | DC | 1200 | Regulated | Desk-top | 4.8 | 121.1 | 3.1 | 80.0 | 2.5 | 64.5 | 2.25 | Fig. 2 | UL |
| | STAR-9007 | +5 | DC | 1000 | Regulated | Desk-top | 4.8 | 121.1 | 3.1 | 80.0 | 2.5 | 64.5 | 2.47 | Fig. 3 | UL |
| | | +12 | DC | 300 | Regulated | | | | | | | | | | |
| | | -12 | DC | 300 | Regulated | | | | | | | | | | |

* Agency Certification Note: U.L. 1310 Listed (File #E104603) or U.L. 1012 Listed (File #E112433)

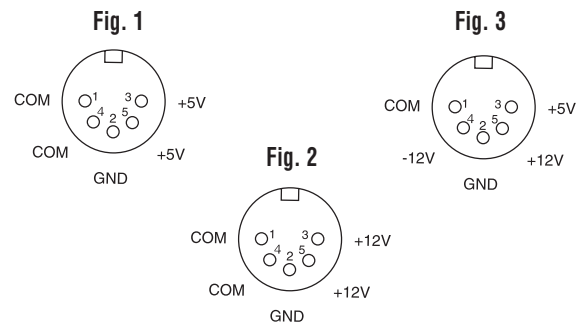
STAR Series Specifications

- Input Voltage: 120V ±10% 60HZ
- Combined Regulation: ±5%
- Output Ripple: 50m V MAX (Peak to Peak)
- Operating Temperature: -10° to +40° C
- Dielectric Test: 1500 VAC, RMS
- Short Circuit and Thermal Protected

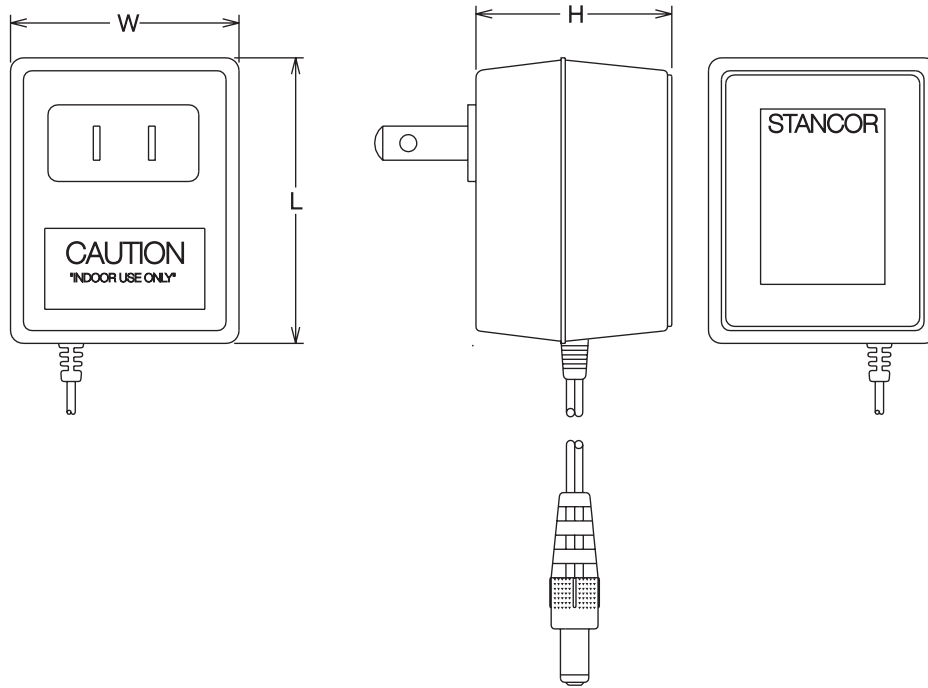
STAR Series Features

- Single and Multiple Outputs
- Input and Output Cords 6' Long
- Rated For Continuous Duty
- Grounded Input Plug (3 Prong) Nema 5-15
- Mating Receptacle Switchcraft S7GB5F, S7PC5F

Output Connector Diagrams 5 Pin DIN



Wall Plug-In



Desk-Top

