



120 Watt Universal 3-Wire Input Adapter PSA120U-V Adapter Series meets EISA and Ecodesign Requirements



Features

- EISA Compliant
- Compliant with Ecodesign ErP Directive 2009/125/EC level 2 annex 1b
- Non-vented/Spill-proof Case
- Level V Efficiency Compliant
- Class B EMI

Applications

- Networking
- Peripherals
- Industrial
- Test and Measurement

Safety Approvals

- cUL/UL
- CE
- TUV

Mechanical Characteristics

- Length: 174mm (6.85in)
- Width: 77mm (3.03in)
- Height: 43mm (1.69in)
- Weight: 0.8Kg (1.76lbs)

Output Specifications

| Model | DC Output Voltage | Load | | Efficiency Level ² |
|--------------|-------------------|-------------------|-------|-------------------------------|
| | | Min. ¹ | Max. | |
| PSA120U-120V | 12V | 0A | 10A | |
| PSA120U-240V | 24V | 0A | 5.0A | |
| PSA120U-480V | 48V | 0A | 2.5A | |
| PSA120U-560V | 56V | 0A | 2.14A | |

¹ Dynamic load from 0.1A to full load.
² See more detail on the second page

Phihong is not responsible for any error, and reserves the right to make changes without notice. Please visit our website at www.phihong.com for the most up-to-date specifications and contact information.

Input:

AC Input Voltage Rating
100 to 240VAC

AC Input Voltage Range
90 to 264VAC

AC Input Frequency
47 to 63Hz

Input Current
2.5A at 100VAC
1.5A at 240VAC

Leakage Current
3.5mA maximum at 254VAC and 50Hz

Inrush Current
65A at 120VAC
130A at 240VAC
(Cold Start at ambient 25°C)

Input Power Saving
<0.5W at no load

OUTPUT:

Efficiency Level
Level V Compliant
87-90% minimum average efficiency

Over-Voltage Protection
Output is protected from over voltage fault at all conditions including open-loop

Over-Power Protection
Auto-Reset

Ripple (P-P Max)

| | |
|-----|-------|
| 12V | 150mV |
| 24V | 240mV |
| 48V | 480mV |
| 56V | 560mV |

(Measured using 12-inch twisted pair terminated with a 10uF capacitor and 0.1uF ceramic in parallel)

Regulation (Line & Load)
±5%

Short-Circuit Protection
Output will withstand a short circuit across the outputs with auto-restart function. Output can be shorted without damage.

ENVIRONMENTAL**Temperature**

| | |
|---------------|--------------|
| Operation | 0 to +40°C |
| Non-operation | -20 to +70°C |
| Humidity | 20 to 80% |

Emissions

FCC Class B
EN55022 Class B
CISPR22 Class B

Immunity

| | |
|--------------|--------------|
| ESD | EN61000-4-2 |
| RS | EN61000-4-3 |
| EFT | EN61000-4-4 |
| Surge | EN61000-4-5 |
| CS | EN61000-4-6 |
| Voltage Dips | EN61000-4-11 |

Dielectric Withstand (Hi-Pot) Test

Primary to Secondary: 3000V AC for 1 min., 10mA

MTBF

≥100K Hours when operated at 75% continuous load and ambient 25°C

DC Output Connector (12V model)

Molex P/N: 39-00-0059
Connecting Molex P/N: 39-01-3065

| | | |
|---------------------|--------|------|
| Pin | Pin 1: | +12V |
| Connections: | Pin 2: | +12V |
| | Pin 3: | +12V |
| | Pin 4: | GND |
| | Pin 5: | GND |
| | Pin 6: | GND |

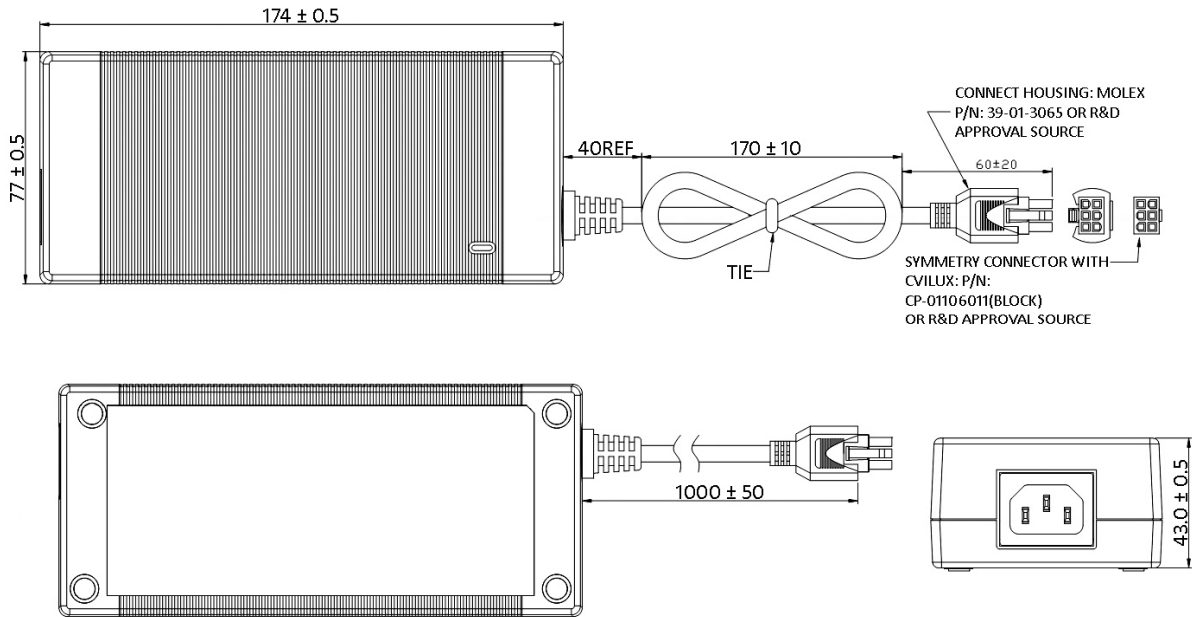
DC Output Connector (24V, 48V and 56V models)

2.5 x 5.5mm Center Positive Barrel Standard

Input Connector

3-Wire IEC320-C14

PSA120U-120-R



PSA120U-240-R, PSA120U-480-R, PSA120U-560-R

