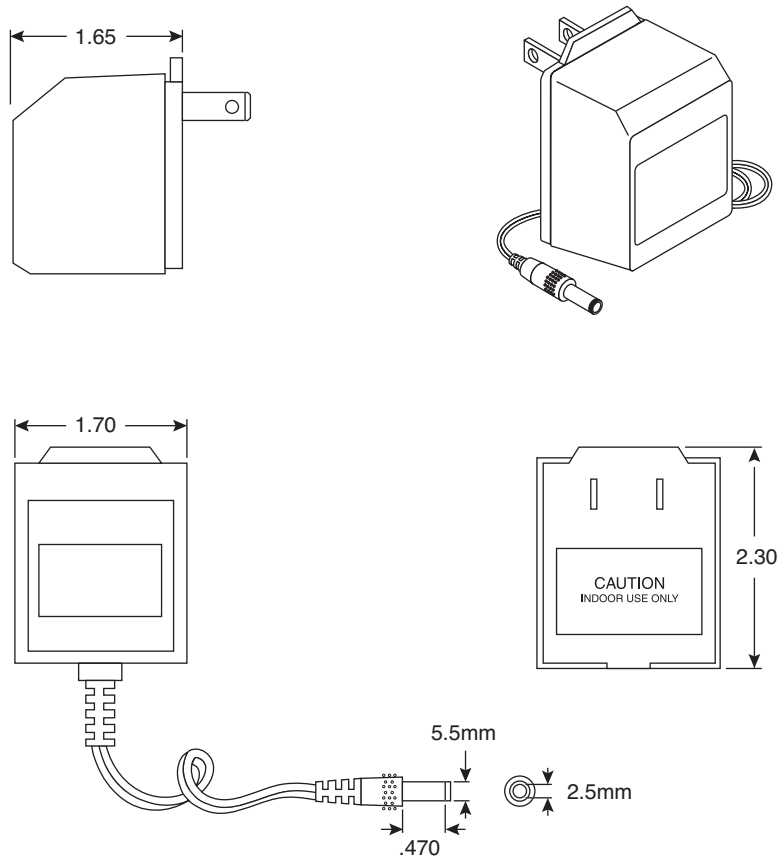




AC Adapter 12VDC/200mA

412-112023



Dimensions: in.
(except where noted)



File No. E175399

■ SPECIFICATIONS:

- Primary voltage: 120VAC 60Hz 6W
- Exciting current, open circuit: 60mA max.
- DC resistance $\pm 15\%$: 279 Ω
- Secondary, no load voltage: 19VDC
- Loaded voltage: 12VDC @ 200mA
- DC resistance $\pm 10\%$: 11.3 Ω
- Insulation resistance: 100M Ω @ 500VDC
- Dielectric strength: primary-secondary: 1,500VAC for 1 minute
primary-core: 1,500VAC for 1 minute
secondary-core: 500VAC for 1 minute
- Temperature rise: 65°C max. @ rated load
- Cord length: 6ft.

Specifications are subject to change without notice. No liability or warranty implied by this information. Environmental compliance based on producer documentation.

XICON PASSIVE COMPONENTS • (800) 628-0544



XC-600200

Date Revised: 6/22/07