



TR500 SERIES 6W SWITCHING ADAPTER



* Not CE certified for the EU"

Features

- * Universal Input Range 90-264VAC
- * Meets EN55022 Class B and CISPR/FCC Class B
- * Continuous Short Circuit Protection
- * Over Current Protection



Ordering information

TR5XX	- X	- XX	X	XX
Model No.	AC Plug Type	DC Plug Type		DC Cable Length and Type
	A: USA 2 Pin	* Please see	A: Without OVP Option	01: 720mm
	E: Europe 2 Pin	Page 213 for		02: 1200mm
	U: British 3 Pin	more detailed		03: 1800mm
	S: Australia 2 Pin	descriptions		11: 720mm with Ferrite Core
				12: 1200mm with Ferrite Core
				13: 1800mm with Ferrite Core
				* 20AWG / UL2468

MODEL	OUTPUT VOLTAGE	MAX. LOAD	MIN. LOAD	RIPPLE & NOISE	VOLTAGE SETPOINT	LINE REGULATION	LOAD REGULATION	%EFF. (Typ.)
TR501	12V	500mA	0A	1%	±3%	±1%	±2%	67%
TR502	10V	600mA	0A	1%	±3%	±1%	±2%	67%
TR503	9V	650mA	0A	1%	±3%	±1%	±2%	67%
TR506	8V	650mA	0A	1%	±3%	±1%	±3%	67%
TR507	7.5V	650mA	0A	1%	±3%	±1%	±3%	68%
TR508	7.0V	650mA	0A	1%	±3%	±1%	±3%	68%
TR510	6.5V	650mA	0A	1%	±3%	±1%	±3%	67%
TR511-1	6.0V	1000mA	0A	1%	±3%	±1%	±4%	67%
TR513-1	5.0V	1200mA	0A	1%	±3%	±1%	±4%	67%
TR514	4.2V	1000mA	0A	1%	±3%	±1%	±4%	65%

Specifications

INPUT SPECIFICATIONS:

Voltage 90~264Vac
 Frequency 50 to 60Hz
 Input Current 0.5A
 Inrush Current 30A max. @264Vac
 Leakage Current 0.25mA max.

OUTPUT SPECIFICATIONS:

Holdup Time 10mS typ. @115Vac
 Short Circuit Protection Continuous(Auto Recovery)
 Over Current Protection Constant Current Type
 Temperature Coefficient $\pm 0.05\%/^{\circ}\text{C}$

GENERAL SPECIFICATIONS:

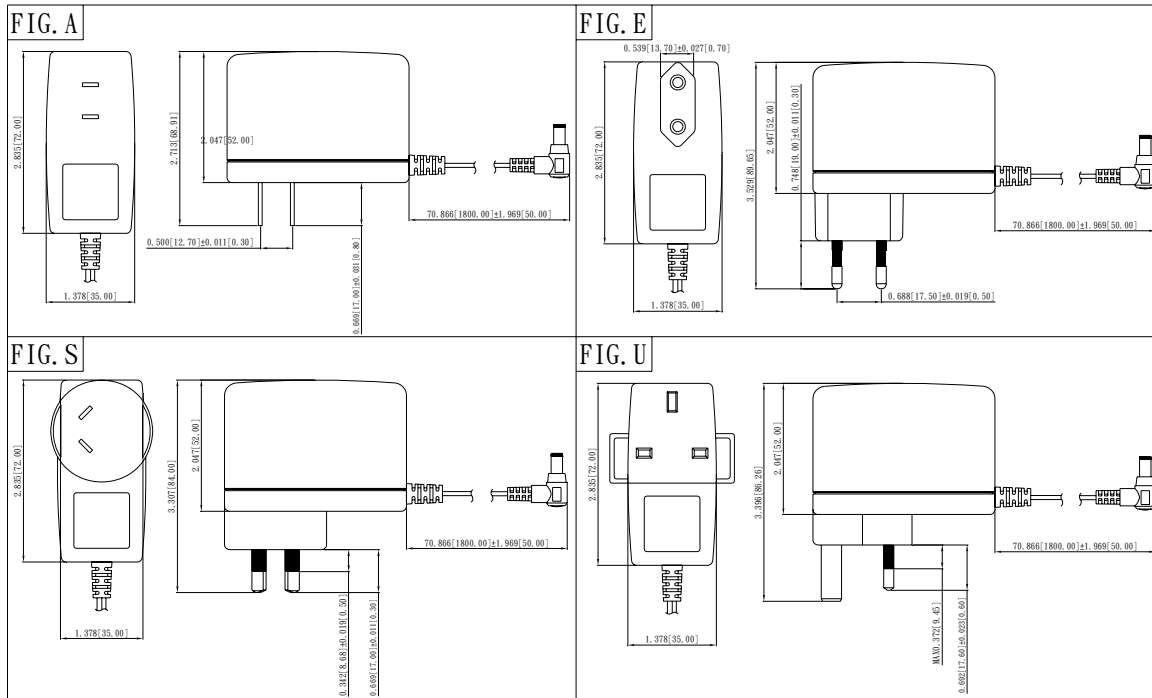
Isolation Input to output = 4,242VDC
 Operating Temperature 0 ~ 60°C (see derating curve)
 Storage Temperature -20 ~ 85°C
 Humidity 93% RH max. Non condensing
 Cooling Natural Convection
 Switching Frequency 30 ~ 200KHz
 MTBF MIL-HDBK-217F, GB, at 25°C/115VAC 200K hrs min.
 Altitude 2000m
 Dimensions 2.835x2.047x1.378inches (72.00x52.00x35.00mm)
 Weight 135g (0.30 Pounds)

SAFETY AND EMC:

Emission and Immunity EN55022 Class B, FCC Part 15 Class B
 EN61000-6-3, EN61000-3-2, EN61000-3-3
 EN55024, EN61204-3, EN61000-6-1
 Safety IEC60950-1, EN60950-1, UL60950-1

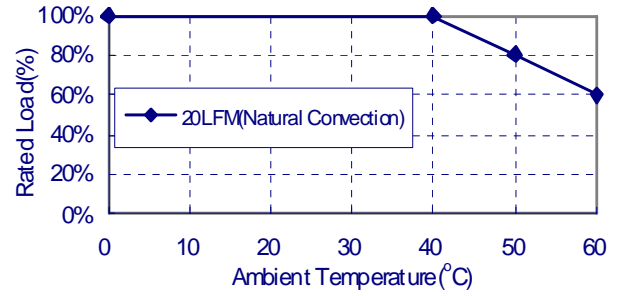
Mechanical Specification

All Dimensions are in inches(mm)
 Tolerance: Inches:X.XXX \pm 0.02
 Millimeters:X.XX \pm 0.5



Typical at 25°C, nominal line and 75% load, unless otherwise Specified

TR500 Series Derating Curve



NOTE:

1. Voltage setpoint at 60% full Load
2. Add a 0.1uF ceramic capacitor and a 10uF E.L. capacitor to output for Ripple & Noise measurement @20MHz BW.
3. Line regulation measured from 100Vac to 240Vac, full load.
4. Load regulation measured from 60% to full load and from 60% to 20% load (60% +/- 40% load)