



# TR15 SERIES 15W SWITCHING ADAPTER



\* Not CE certified for the EU"

## Features

- \* Universal Input: 90-264Vac
- \* EMI Meets EN55022 Class B and CISPR/FCC Class B
- \* Continuous Short Circuit Protection
- \* Over Voltage Protection (Option)



## Ordering information

TR15XX - x	XX	X	XX
Model No.	AC Plug Type	DC Plug Type	OVP Option
	A: USA 2 Pin	* Please see Page 213 for more detailed descriptions	A: Without OVP Option
	E: Europe 2 Pin		E: With OVP Option
	U: British 3 Pin		
	S: Australia 2 Pin		
			DC Cable Length and Type
			01: 720mm
			02: 1200mm
			03: 1800mm
			11: 7200mm with Ferrite Core
			12: 1200mm with Ferrite Core
			13: 1800mm with Ferrite Core
			* 18AWG/SPT-1: TR1505, TR1506
			* 20AWG/UL2468: TR1507, TR1509
			TR1512, TR1512-01, TR1515

MODEL	OUTPUT VOLTAGE	MAX. LOAD	MIN. LOAD	T1518, TR1524 RIPPLE & NOISE	VOLTAGE ACCURACY	LINE REGULATION	LOAD REGULATION	%EFF.. (Typ)
TR1505	5V	2.0A	0A	1%	±2%	±1%	±4%	68%
TR1506	6V	1.5A	0A	1%	±2%	±1%	±3%	69%
TR1507	7.5V	1.6A	0A	1%	±2%	±1%	±3%	69%
TR1509	9V	1.4A	0A	1%	±2%	±1%	±2%	73%
TR1512	12V	1.0A	0A	1%	±2%	±1%	±2%	74%
TR1512-01	13.6V	1.0A	0A	1%	±2%	±1%	±2%	74%
TR1515	15V	1.0A	0A	1%	±2%	±1%	±2%	75%
TR1518	18V	0.83A	0A	1%	±2%	±1%	±2%	76%
TR1524	24V	0.63A	0A	1%	±2%	±1%	±2%	79%

## Specifications

### INPUT SPECIFICATIONS:

Voltage ..... 90~264Vac  
 Frequency ..... 47 to 63Hz  
 Input Current ..... 100Vac/0.5A max., 240Vac/0.25A max.  
 Inrush Current ..... 50A max. @264Vac  
 Leakage Current ..... 0.25mA max.

### OUTPUT SPECIFICATIONS:

Holdup Time ..... 10ms typ. @115Vac  
 Short Circuit Protection ..... Hiccup Mode (Auto Recovery)  
 Over Voltage Protection ..... TVS Component to Clamp (Option)

### GENERAL SPECIFICATIONS:

Isolation ..... Input to output = 4,242VDC  
 Operating Temperature ..... 0°C~ 60°C (see derating curve)  
 Storage Temperature ..... -20~85°C  
 Humidity ..... 93% RH max. Non condensing  
 Cooling ..... Natural Convection  
 Switching Frequency ..... 34KHz Typical  
 MTBF ..... MIL-HDBK-217F, GB, at 25°C/115VAC ..... 200K hrs min.  
 Altitude ..... 2000m  
 Dimensions ..... 2.835x2.047x1.378Inches (72.00x52.00x35.00mm)  
 Weight ..... 160g(0.35 Pounds)

### SAFETY AND EMC:

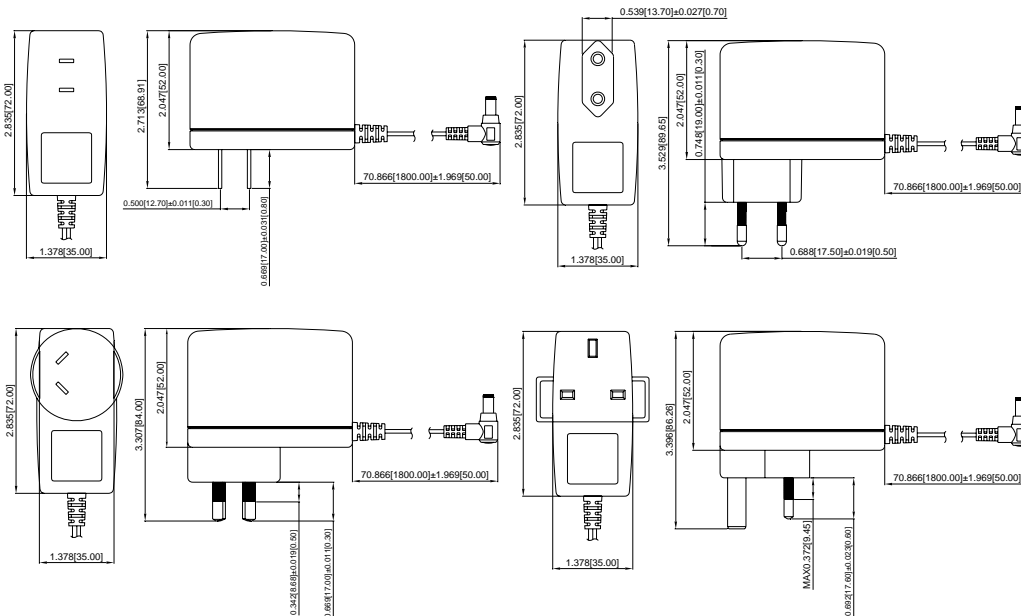
Emission and Immunity ..... EN55022 Class B, FCC Part 15 Class B  
 EN61000-6-3, EN61000-3-2, EN61000-3-3  
 EN55024, EN61204-3, EN61000-6-1  
 Safety ..... IEC60950, EN60950-1, UL60950-1

### Mechanical Specification

All Dimensions are in inches(mm)

Tolerance:Inches:X.XXX±0.02

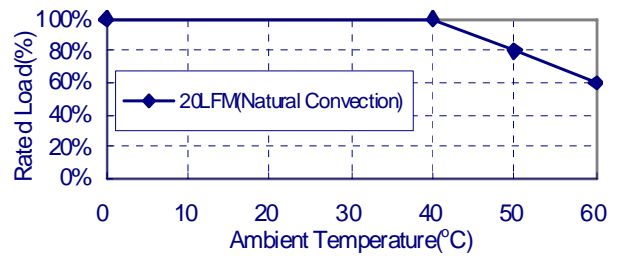
Millimeters:X.XX±0.5



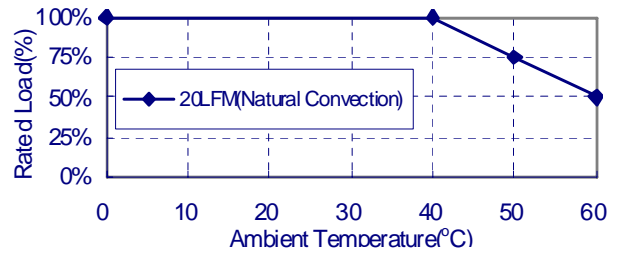
Typical at 25°C, nominal line and 75% load, unless otherwise Specified

## TR15R Series Derating Curve

TR1505, 1506, 1507, 1509, 1512, 1512-01



TR1515, 1518, 1524



### NOTE:

1. Voltage setpoint at 60% full load
2. Add a 0.1uF ceramic capacitor and a 10uF E.L. capacitor to output for Ripple & Noise measuring @20MHz BW.
3. Line regulation is measured from 100Vac to 240Vac with full load.
4. Load regulation is measured from 60% to 100% full load and from 60% to 20% load (60% +/- 40% load)