



■ Features :

- AC input active surge current limiting
- AC input range selected by switch
- Protections: Short circuit / Overload / Over voltage / Over temperature
- Forced air cooling by built-in DC fan
- High power density 4.9w/inch³
- Built-in remote sense function
- UL approved
- Low cost
- 2 years warranty

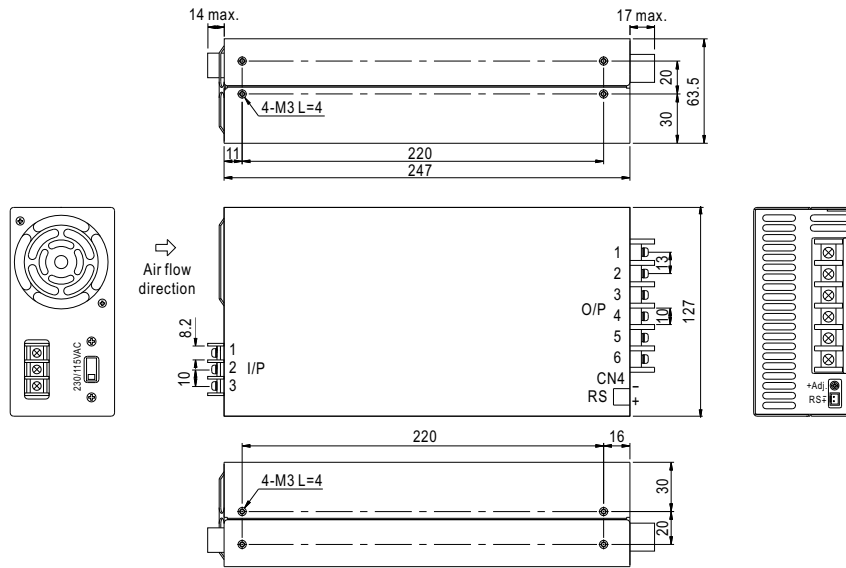


SPECIFICATION

| MODEL | SE-600-5 | SE-600-12 | SE-600-15 | SE-600-24 | SE-600-27 | SE-600-36 | SE-600-48 | |
|---------------------|--|--|--------------|--------------|--------------|------------|-----------|--------------|
| OUTPUT | DC VOLTAGE | 5V | 12V | 15V | 24V | 27V | 36V | 48V |
| | RATED CURRENT | 100A | 50A | 40A | 25A | 22.2A | 16.6A | 12.5A |
| | CURRENT RANGE | 0 ~ 100A | 0 ~ 50A | 0 ~ 40A | 0 ~ 25A | 0 ~ 22.2A | 0 ~ 16.6A | 0 ~ 12.5A |
| | RATED POWER | 500W | 600W | 600W | 600W | 599.4W | 597.6W | 600W |
| | RIPPLE & NOISE (max.) Note.2 | 150mVp-p | 150mVp-p | 150mVp-p | 150mVp-p | 150mVp-p | 200mVp-p | 200mVp-p |
| | VOLTAGE ADJ. RANGE | 4.75 ~ 5.5V | 10 ~ 13.5V | 13.5 ~ 16.5V | 22 ~ 26.4V | 24 ~ 30V | 32 ~ 40V | 43 ~ 56V |
| | VOLTAGE TOLERANCE Note.3 | ±2.0% | ±1.0% | ±1.0% | ±1.0% | ±1.0% | ±1.0% | ±1.0% |
| | LINE REGULATION | ±0.5% | ±0.5% | ±0.5% | ±0.5% | ±0.5% | ±0.5% | ±0.5% |
| | LOAD REGULATION | ±2.0% | ±0.5% | ±0.5% | ±0.5% | ±0.5% | ±0.5% | ±0.5% |
| SETUP, RISE TIME | 1000ms, 50ms/230VAC 1000ms, 50ms/115VAC at full load | | | | | | | |
| HOLD UP TIME (Typ.) | 20ms/230VAC 16ms/115VAC at full load | | | | | | | |
| INPUT | VOLTAGE RANGE | 90 ~ 132VAC / 180 ~ 264VAC selected by switch | | | 254 ~ 370VDC | | | |
| | FREQUENCY RANGE | 47 ~ 63Hz | | | | | | |
| | EFFICIENCY (Typ.) | 78% | 83% | 84% | 87% | 87% | 87% | 88% |
| | AC CURRENT (Typ.) | 12A/115VAC | 7.5A/230VAC | | | | | |
| | INRUSH CURRENT (Typ.) | 30A/115VAC | 60A/230VAC | | | | | |
| | LEAKAGE CURRENT | <2.0mA / 240VAC | | | | | | |
| PROTECTION | OVERLOAD | 105 ~ 125% rated output power Protection type : Shut down o/p voltage, re-power on to recover | | | | | | |
| | OVER VOLTAGE | 5.75 ~ 6.3V | 13.8 ~ 16.2V | 18 ~ 21V | 27.6 ~ 32.4V | 31 ~ 36.5V | 42 ~ 50V | 57.6 ~ 67.2V |
| | OVER TEMPERATURE | 85°C ±5°C (TSW1) detect on heatsink of power transistor Protection type : Shut down o/p voltage, recovers automatically after temperature goes down | | | | | | |
| ENVIRONMENT | WORKING TEMP. | -20 ~ +60°C (Refer to output load derating curve) | | | | | | |
| | WORKING HUMIDITY | 20 ~ 90% RH non-condensing | | | | | | |
| | STORAGE TEMP., HUMIDITY | -40 ~ +85°C, 10 ~ 95% RH | | | | | | |
| | TEMP. COEFFICIENT | ±0.05%/°C (0 ~ 50°C) | | | | | | |
| | VIBRATION | 10 ~ 500Hz, 2G 10min./1cycle, 60min. each along X, Y, Z axes | | | | | | |
| SAFETY & EMC | SAFETY STANDARDS | UL60950-1 approved | | | | | | |
| | WITHSTAND VOLTAGE | I/P-O/P:3KVAC I/P-FG:1.5KVAC O/P-FG:0.5KVAC | | | | | | |
| | ISOLATION RESISTANCE | I/P-O/P, I/P-FG, O/P-FG:100M Ohms/500VDC | | | | | | |
| OTHERS | MTBF | 197K hrs min. MIL-HDBK-217F (25°C) | | | | | | |
| | DIMENSION | 247*127*63.5mm (L*W*H) | | | | | | |
| | PACKING | 2.1Kg; 6pcs/13.4Kg/1.03CUFT | | | | | | |
| NOTE | <p>1. All parameters NOT specially mentioned are measured at 230VAC input, rated load and 25°C of ambient temperature.</p> <p>2. Ripple & noise are measured at 20MHz of bandwidth by using a 12" twisted pair-wire terminated with a 0.1uf & 47uf parallel capacitor.</p> <p>3. Tolerance : includes set up tolerance, line regulation and load regulation.</p> | | | | | | | |

Mechanical Specification

Case No. 926A Unit:mm



AC input terminal :

| Pin No. | Assignment |
|---------|------------|
| 1 | AC/L |
| 2 | AC/N |
| 3 | FG \perp |

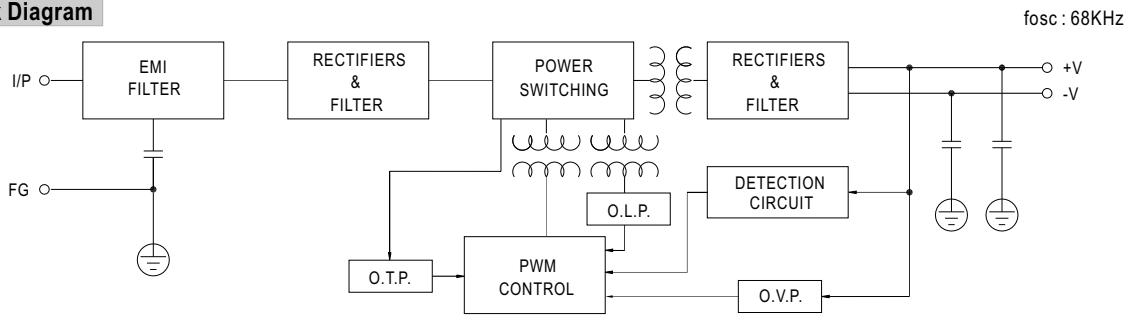
DC Output terminal :

| Pin No. | Assignment |
|---------|------------|
| 1~3 | +V |
| 4~6 | -V |

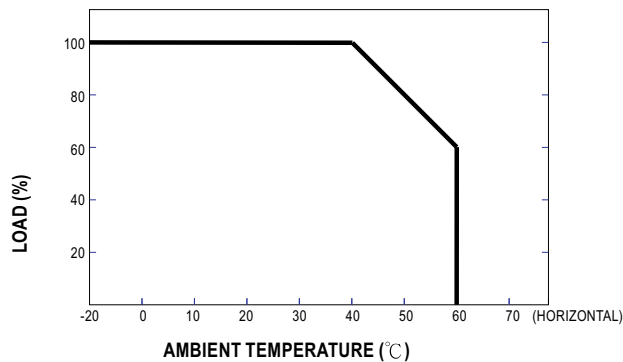
RS Connector (CN4) : JST B-XH or equivalent

| Pin No. | Assignment | Mating Housing | Terminal |
|---------|------------|-----------------------|----------------------------|
| 1 | +S | JST XHP or equivalent | JST SXH-001T or equivalent |
| 2 | -S | | |

Block Diagram



Derating Curve



Static Characteristics

