

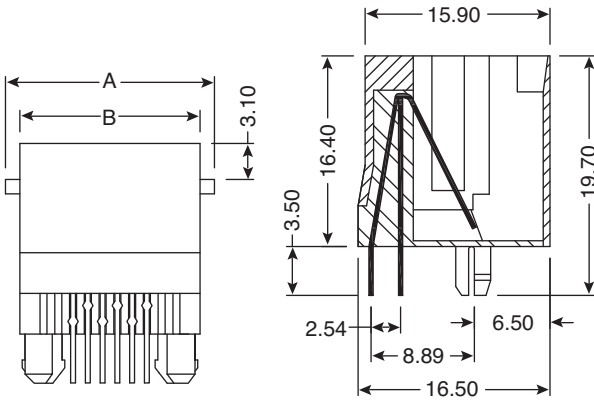
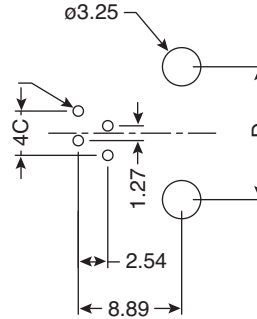
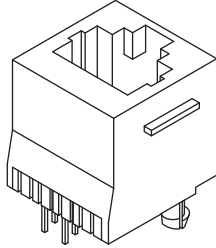
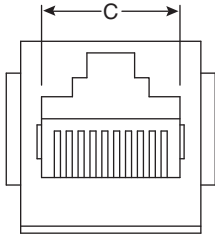
PCB Modular Jack

154-UL6442



PCB Modular Jack

154-UL6442



PCB LAYOUT / TOP VIEW

position	contact	A	B	C	D
4P	4C	13.90	11.43	7.90	7.62

UNIT: m/m
TOL: +/- 0.15

Dimensions: mm

SPECIFICATIONS	
Type:	4P/4C Modular with PCB Leads
Voltage & Current Rating:	125V, 1.5A
Dielectric Strength:	1000VAC 60Hz
Contact Resistance:	30mΩ max.
Insulation Resistance:	500MΩ min.
Insertion Force:	500g
Housing:	15% Glass Filled PBT, Black
Conductor:	0.35mm thickness phosphor bronze, Gold plated over nickel on contact area, Tin plated over nickel on solder area.
Temperature:	-40 to +80°C
Durability:	500 cycles min.

Date Last Revised: 03-11-09

Available from Mouser Electronics
1-800-346-6873 / www.mouser.com

KC-300617

Specifications are subject to change without notice. No liability or warranty implied by this information. Environmental compliance based on producer documentation.