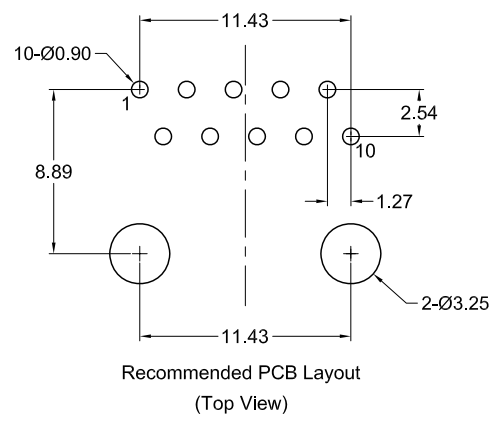
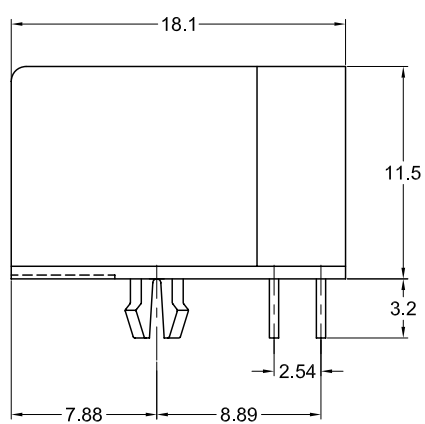
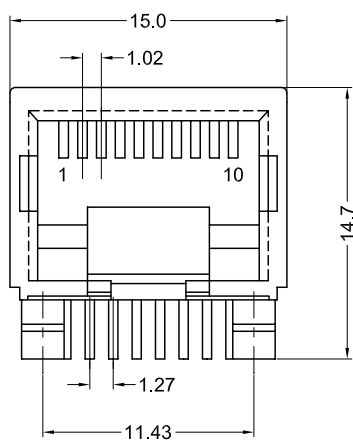


KYCON, Inc. 1810 Little Orchard Street, San Jose, CA 95125 (408)494-0330



Materials and Finish
 Housing Material- PBT Thermoplastic
 UL 94V-0 Rated
 Color: Black
 Design meets UL 1863 Sec. 8
 Electrical Probe and Sec. 20
 Child Finger test requirements
 Contact Material- Phosphor Bronze
 Contact Plating Options-
 Standard: 0.0001" Nickel
 Plating, Selective Plating
 0.000015" Gold on Contact
 Area, Tin on Termination End
 50 Option: 0.0001" Nickel Plating,
 Selective Plating 0.000050"
 Gold on Contact Area to
 Comply with FCC Requirements
 Under No. 47 C.F.R. Part 68,
 Subpart F, Tin/Lead on
 Termination End

Electrical Characteristics
 Current Rating- 1.5 Amps
 Voltage Rating- 125V DC
 Insulation Resistance- 500 Megohms min.
 Dielectric Withstanding Voltage- 1000V rms, 60Hz
 Contact Resistance- 20 milliohms max.
 Operating Temperature- -40°C to +80°C
 Durability Rating- 500 mating cycles min.

Part Number	Contact Area Plating Finish
GMX-N-1010	15u" Gold (standard)
GMX-N-1010-50	50u" Gold (50 option)

RoHS COMPLIANT
 EU Directive 2002/95/EC

CS
 LR78160

Tolerances
 X.X ± 0.25
 X.XX ± 0.15
 Unless Stated
 Otherwise

REV.	DATE	DESCRIPTION	REV. BY	CHK. BY	DRAWN BY	DATE
A1	10/05/05	New Drawing	R. Aguirre	H. MA	R. Aguirre	10/05/05
A2	05/13/10	ECO #10-025	S. Vien	H. MA		
A3	07/14/10	ECO #10-052	S. Vien	H. MA		

GMX-N-1010

Right Angle Modular Jack, RoHS Compliant

10 Position, 10 Contacts

KYCON