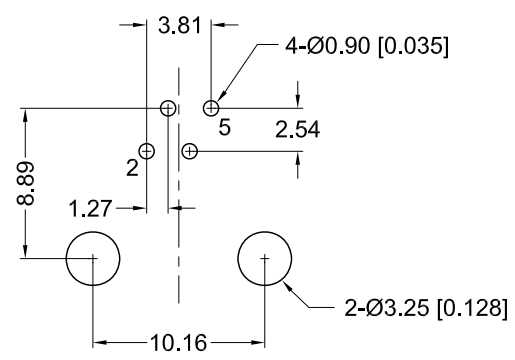
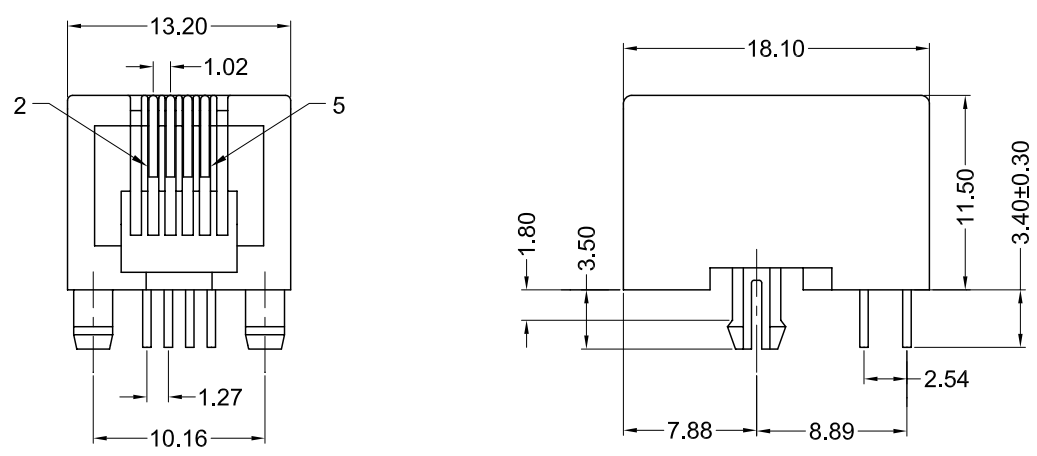


KYCON, Inc. 1810 Little Orchard Street, San Jose, CA 95125 (408)494-0330



Recommended PCB Layout  
(Top View)

Part Number	Contact Area Plating Finish
GMX-N-64	15u" Gold (standard)
GMX-N-64-50	50u" Gold (50 option)

**Materials and Finish**

Housing Material-  
PBT Thermoplastic  
UL 94V-0 Rated  
Color: Black

Design meets UL 1863 Sec. 8  
Electrical Probe and Sec. 20  
Child Finger test requirements

Contact Material-  
Phosphor Bronze

Contact Plating Options-  
Standard: 0.0001" Nickel  
Plating, Selective Plating  
0.000015" Gold on Contact  
Area, Gold on Entire Contact

50 Option: 0.0001" Nickel Plating,  
Selective Plating 0.000050"  
Gold on Contact Area to  
Comply with FCC Requirements  
Under No. 47 C.F.R. Part 68,  
Subpart F, Gold on Entire Contact

**Electrical Characteristics**

Current Rating-  
1.5 Amps

Voltage Rating-  
125V DC

Insulation Resistance-  
500 Megohms min.

Dielectric Withstanding Voltage-  
1000V rms, 60Hz

Contact Resistance-  
20 milliohms max.

Operating Temperature-  
-40°C to +80°C

Durability Rating-  
500 mating cycles min.

RoHS COMPLIANT EU Directive 2002/95/EC	 <small>LR78160</small>	<b>Tolerances</b> X.X ± 0.25 X.XX ± 0.15 Unless Stated Otherwise
---	---	--

REV.	DATE	DESCRIPTION	REV. BY	CHK. BY	DRAWN BY	DATE
A1	05/09/05	New Drawing	R. Aguirre	H. MA	R. Aguirre	5/03/05
A2	05/13/10	ECO #10-025	S. Vien	H. MA		

GMX-N-64-xx

Right Angle Modular Jack,  
6P4C, RoHS Compliant

