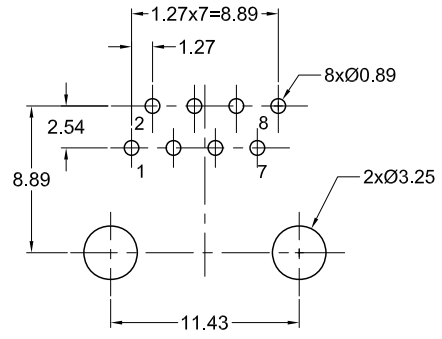
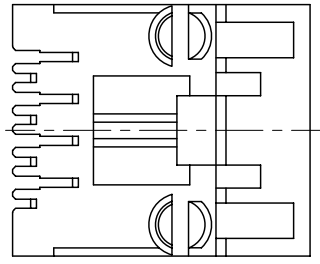
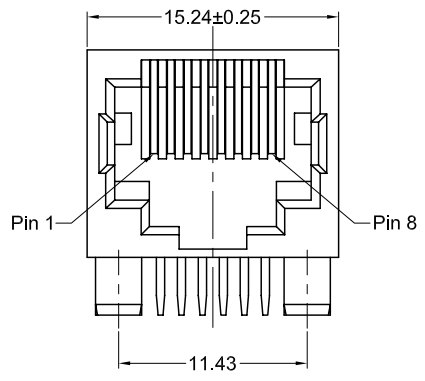
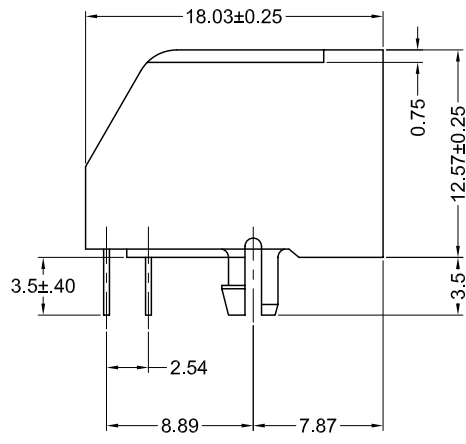


KYCON, Inc. 1810 Little Orchard Street, San Jose, CA 95125 (408)494-0330



Recommended PCB Layout (Top View)

**Materials and Finish**

Housing Material-  
PBT Thermoplastic  
UL 94V-0 Rated  
Color: Black

Contact Material-  
Phosphor Bronze

Contact Plating Options-  
Standard: 0.0001" Nickel  
Plating, Selective Plating  
0.000015" Gold on Contact  
Area, tin plated  
on termination end

50: 0.0001" Nickel Plating,  
Selective Plating 0.000050"  
Gold on Contact Area to  
Comply with FCC Requirements  
Under No. 47 C.F.R. Part 68,  
Subpart F  
tin plated on termination end

**Electrical Characteristics**

Current Rating-  
1.5 Amps

Voltage Rating-  
125V DC

Insulation Resistance-  
500 Megohms Min.

Dielectric Withstanding Voltage-  
1000V rms, 60Hz

Contact Resistance-  
20 milliohms Max.

Operating Temperature-  
-40°C to +85°C

Part Number	Contact Area Plating Finish
GDLX-N-88	Gold Flash (standard)
GDLX-N-88-50	50u" Gold (-50 option)

**RoHS COMPLIANT**  
EU Directive 2002/95/EC



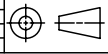
Tolerances
X.X ± 0.25
X.XX ± 0.15
Unless Stated Otherwise

REV.	DATE	DESCRIPTION	REV. BY	CHK. BY	DRAWN BY	DATE
A1	05/19/05	New Drawing	R. Aguirre	H. MA	R. Aguirre	05/17/05
A2	05/12/10	ECO #10-025	S. Vien	H. MA		

**GDLX-N-88**

Modular Jack, Right angle, RoHS Compliant

8 Pos, 8 Contacts, non-shielded



UNITS  
mm