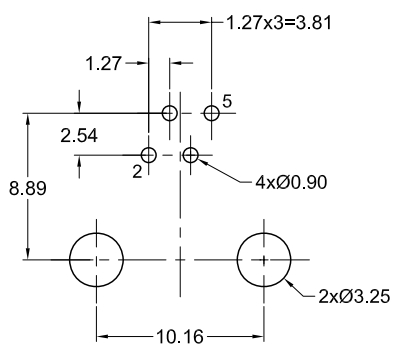
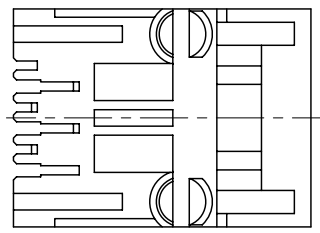
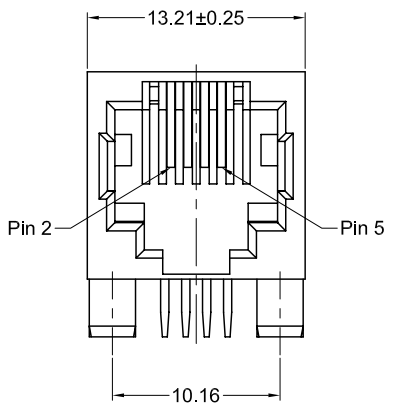
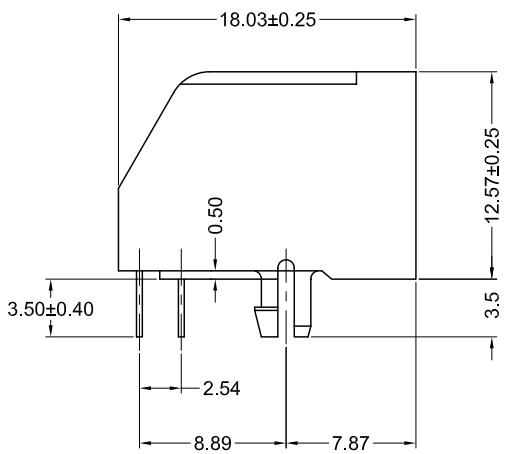


KYCON, Inc. 1810 Little Orchard Street, San Jose, CA 95125 (408)494-0330



Recommended PCB Layout (Top View)

Materials and Finish

Housing Material-
PBT Thermoplastic
UL 94V-0 Rated
Color: Black

Contact Material-
Phosphor Bronze

Contact Plating Options-
Standard: 0.0001" Nickel
Plating, Selective Plating
0.000015" Gold on Contact
Area, tin plated
on termination end

50: 0.0001" Nickel Plating,
Selective Plating 0.000050"
Gold on Contact Area to
Comply with FCC Requirements
Under No. 47 C.F.R. Part 68,
Subpart F
Tin plated on termination end

Electrical Characteristics

Current Rating-
1.5 Amps

Voltage Rating-
125V DC

Insulation Resistance-
500 Megohms Min.

Dielectric Withstanding Voltage-
1000V rms, 60Hz

Contact Resistance-
20 milliohms Max.

Operating Temperature-
-40°C to +85°C

Part Number	Contact Area Plating Finish
GDLX-N-64	15u" Gold (standard)
GDLX-N-64-50	50u" Gold (-50 option)

RoHS COMPLIANT
EU Directive 2002/95/EC



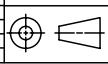
Tolerances
X.X ± 0.25
X.XX ± 0.15
Unless Stated Otherwise

REV.	DATE	DESCRIPTION	REV. BY	CHK. BY	DRAWN BY	DATE
A1	05/19/05	New Drawing	R. Aguirre	H. MA	R. Aguirre	05/16/05
A2	05/12/10	ECO #10-025	S. Vien	H. MA		

GDLX-N-64

Modular Jack, Right angle, RoHS Compliant

6 Pos, 4 Contacts, non-shielded



UNITS
mm