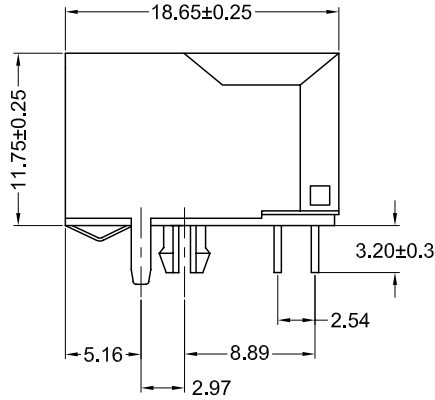
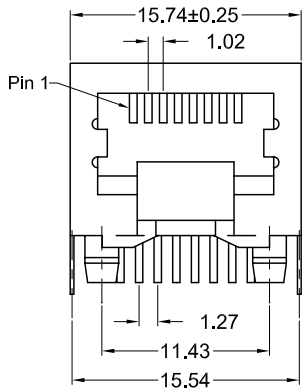
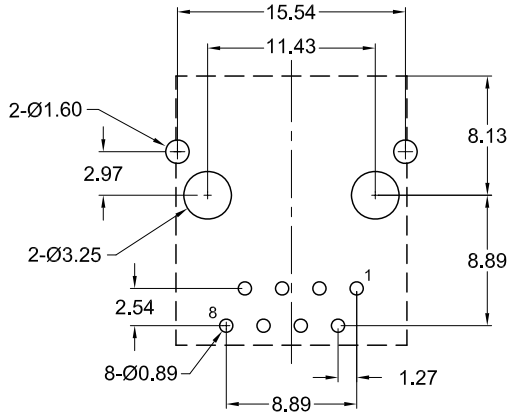


KYCON, Inc. 1810 Little Orchard Street, San Jose, CA 95125 (408)494-0330



Recommended PCB Layout (Top View)



Part Number	Contact Area Plating Finish
GMX-S-88	15u" Gold (standard)
GMX-S-88-50	50u" Gold (50 option)

Materials and Finish

Housing Material-
PBT Thermoplastic
UL 94V-0 Rated
Color: Black

Shield Material-
Brass
Nickel Plated

Design meets UL 1863 Sec. 8
Electrical Probe and Sec. 20
Child Finger test requirements

Contact Material-
Phosphor Bronze

Contact Plating Options-
Standard: 0.0001" Nickel
Plating, Selective Plating
0.000015" Gold on Contact
Area, Tin on Termination End

50 Option: 0.0001" Nickel Plating,
Selective Plating 0.000050"
Gold on Contact Area to
Comply with FCC Requirements
Under No. 47 C.F.R. Part 68,
Subpart F, Tin on
Termination End

Electrical Characteristics

Current Rating-
1.5 Amps

Voltage Rating-
125V DC

Insulation Resistance-
500 Megohms min.

Dielectric Withstanding Voltage-
1000V rms, 60Hz

Contact Resistance-
20 milliohms max.

Operating Temperature-
-40°C to +80°C

Durability Rating-
500 mating cycles min.

Tolerances
X.X ± 0.25
X.XX ± 0.15
Unless Stated Otherwise

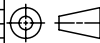


REV.	DATE	DESCRIPTION	REV. BY	CHK. BY	DRAWN BY	DATE
A1	6/29/05	New Drawing	R. Aguirre	H. MA	R. Aguirre	4/8/05
A2	5/17/06	Release Drawing	H. MA	N/A		
A3	05/13/10	ECO #10-025	S. Vlen	H. MA		

GMX-S-88

Right Angle, Modular Jack, Lead-free

8 position, 8 contacts, RoHS Compliant



UNITS
mm