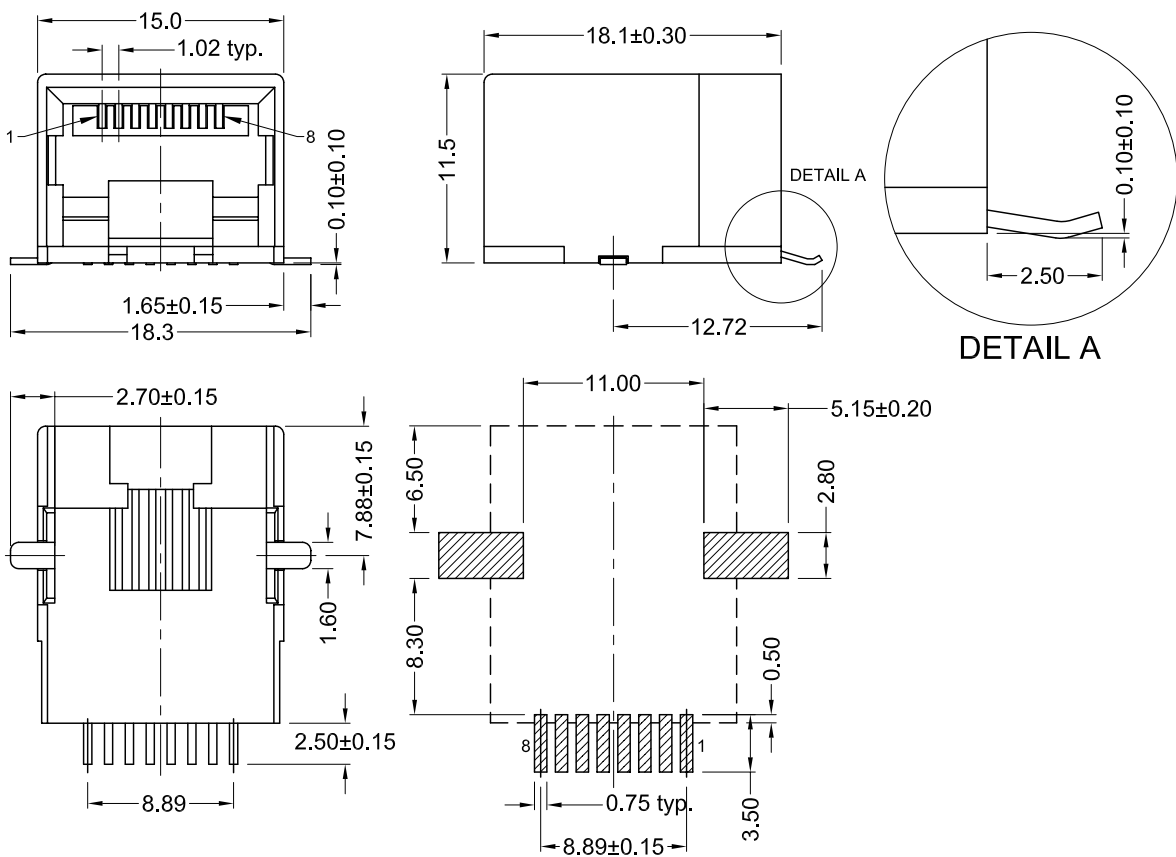


KYCON, Inc. 1810 Little Orchard Street, San Jose, CA 95125 (408)494-0330



Materials and Finish

Housing Material:
 High Temp. thermoplastic,
 (reflow process compatible)
 UL 94V-0 rated, black color

Design meets UL 1863 Sec. 8
 Electrical Probe and Sec. 20
 Child Finger test requirements

Contact Material: phosphor bronze

Contact Plating Options:

Standard: 0.0001" Nickel
 Plating, Selective Plating
 Gold Flash on Contact
 Area, Tin on Termination End

50 Option: 0.0001" Nickel Plating,
 Selective Plating 0.000050"
 Gold on Contact Area to
 Comply with FCC Requirements
 Under No. 47 C.F.R. Part 68,
 Subpart F, Tin on
 Termination End

Electrical Characteristics

Current Rating: 1.0 Amps
 Voltage Rating: 125V DC

Insulation Resistance:
 500 Megohms min.

Dielectric Withstanding Voltage:
 1000V rms, 60Hz

Contact Resistance:
 20 milliohms max.

Durability Rating:
 1000 mating cycles min.

Operating Temperature:
 -40°C to +85°C

Part Number	Contact Area Plating	Packaging
GMX-SMT4-N-88	Gold Flash (standard)	Bulk
GMX-SMT4-N-88-50	50u" Gold (50 option)	
GMX-SMT4-N-88-TR	Gold Flash (standard)	Tape & Reel
GMX-SMT4-N-88-50TR	50u" Gold (50 option)	

Recommended PCB Layout (top view)



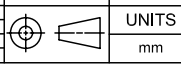
Tolerances
X.X ± 0.25
X.XX ± 0.15
Unless Stated Otherwise

REV.	DATE	DESCRIPTION	REV. BY	CHK. BY	DRAWN BY	DATE
A1	6/30/05	New Drawing	R. Aguirre	H. MA	R. Aguirre	05/24/05
A2	04/27/10	ECO #10-020	S. Vlen	H. MA		

GMX-SMT4-N-88

8 position, 8 contacts, Surface Mount

Right Angle Modular Jack—No Pegs, RoHS Compliant



UNITS
mm