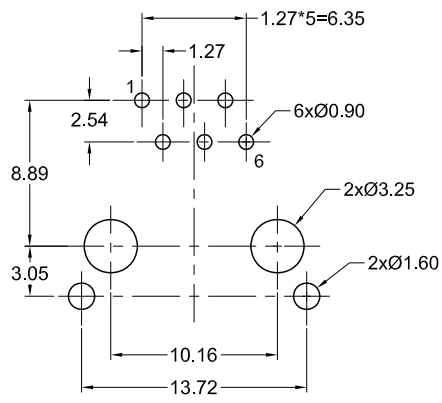
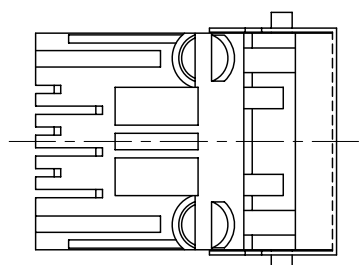
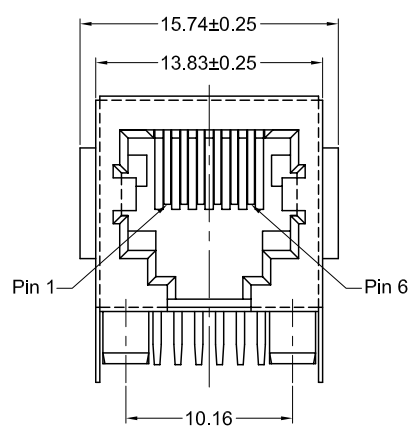
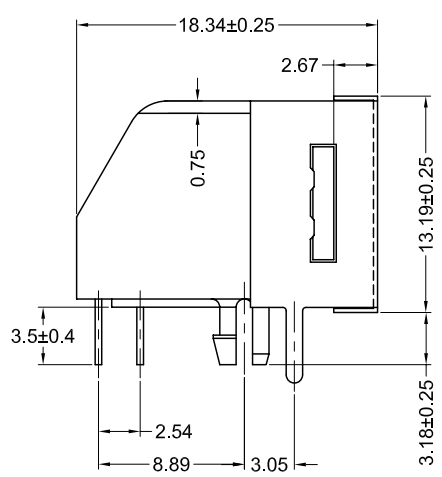


KYCON, Inc. 1810 Little Orchard Street, San Jose, CA 95125 (408)494-0330



Materials and Finish

Housing Material-
PBT Thermoplastic
UL 94V-0 Rated
Color: Black

Shield Material-
Nickel Plated Copper Alloy

Contact Material-
Phosphor Bronze

Contact Plating Options-
Standard: 0.0001u" Nickel Plating, Selective Plating Gold Flash on Contact area Gold Flash Plated on termination end
50: 0.0001u" Nickel Plating, Selective Plating 0.000050u" Gold on Contact Area to Comply with FCC Requirements Under No. 47 C.F.R. Part 68, Subpart F Gold Flash Plated on termination end

Electrical Characteristics

Current Rating-
1.5 Amps
Voltage Rating-
125V DC
Insulation Resistance-
500 Megohms Min.
Dielectric Withstanding Voltage-
1000V rms, 60Hz
Contact Resistance-
20 milliohms Max.
Operating Temperature-
-40°C to +85°C

Part Number	Contact Area Plating Finish
GDLX-S-66	Gold Flash (standard)
GDLX-S-66-50	50u" Gold (50 option)

Tolerances
X.X ± 0.25
X.XX ± 0.15
Unless Stated Otherwise

RoHS COMPLIANT
EU Directive 2002/95/EC



REV.	DATE	DESCRIPTION	REV. BY	CHK. BY	DRAWN BY	DATE
A1	05/19/05	New Drawing	R. Aguirre	H. MA	R. Aguirre	05/18/05
A2	05/12/10	ECO #10-025	S. Vien	H. MA		
A3	01/12/11	ECO #11-004	S. Vien	H. MA		

GDLX-S-66-xx

Modular Jack, Right angle, RoHS Compliant
6 Pos, 6 Contacts, shielded

