

5

4

3

2

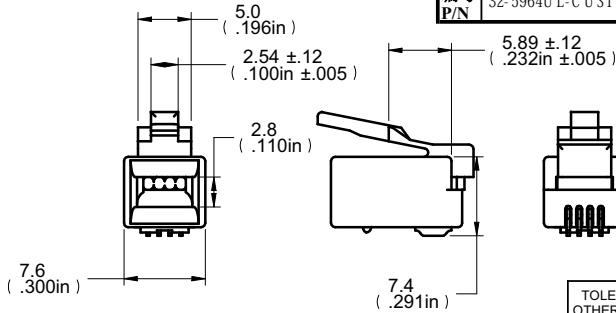
1

DRAWING NO. 32-5964UL- CUST			
REVISIONS			
01	OFFICIAL RELEASE		
08-23-09	T	W	2009.09.0 2009.09.30 08 00

Description: RJ11 MOD Plug 50"U,STR,RND CBL
 Part No: 32-5964UL
 Application: Modular Plug
 Crimp Tool: N/A
 Insulation Resistance: 1000 Ohms
 Frequency Range: N/A
 Material: Housing Polycarbonate
 Contact Phosphor bronze Gold plated
 Insert bar Polycarbonate
 RoHS Compliance: Yes
 Technical Detail: N/A



受控 CONTROLLED DOCUMENT					
编号 P/N	32-5964U L-C UST	版本 Rev	01	日期 Rel'd Date	SEP 14,09



DIM OUTLINE

TOLERANCE UNLESS OTHERWISE SPECIFIED		DRAWN BY TERRY.W	DATE 08-23-09
DECIMALS	mm	CHECKED BY BETTY.YU	DATE 08-23-09
X	± 0.5	APPROVED BY THOMAS	DATE 08-23-09
X.X	± 0.3		
X.XX	± 0.1		
ANGLES	± 0.5°	U/M	mm

EMERSON Network Power		Connectivity Solutions
TITLE RJ11 MOD PLUG 50"U,STR,RND CBL		
SHEET 1 OF 1	DRAWING NO. 32-5964UL-CUST	SIZE A

THIS DRAWING WAS PRODUCED BY COMPUTER. DO NOT SCALE DRAWING OR UPDATE MANUALLY.

CUSTOMER COPY

5

4

3

2

1

D

C

B

A

D

C

B

A