



GH1213

12 volt 1.3 Ah

GH1213 is a general purpose battery with 3-5 years in standby service or more than 400 cycles at 50% depth of discharge in cycle service.

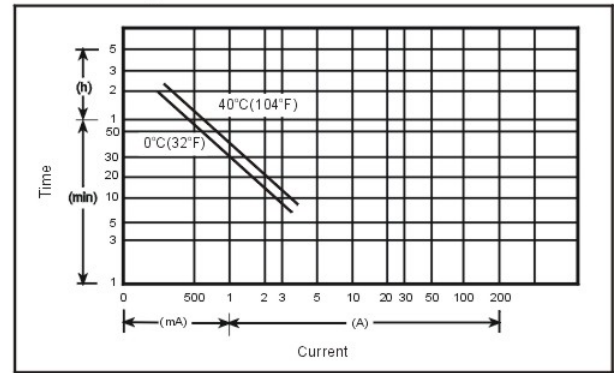
☆ SPECIFICATION

● NOMINAL VOLTAGE	: 12 V
● NOMINAL CAPACITY(20 hr)	: 1.3 Ah
● DIMENSIONS	
TOTAL HEIGHT	: 59 mm (2.32 inches)
CONTAINER HEIGHT	: 52 mm (2.05 inches)
LENGTH	: 97 mm (3.82 inches)
WIDTH	: 43 mm (1.69 inches)
● WEIGHT	: APPROX 0.58 Kg (1.28 lbs)
● CONTAINER MATERIAL	: UL94HB ABS
	: UL94V-0 ABS
● INTERNAL RESISTANCE(25°C , 77 °F)	: ~80mΩ
● DISCHARGE CAPACITY UNDER DIFFERENT TEMPERATURES	
40°C	: ~102%
25°C	: ~100%
0 °C	: ~85%

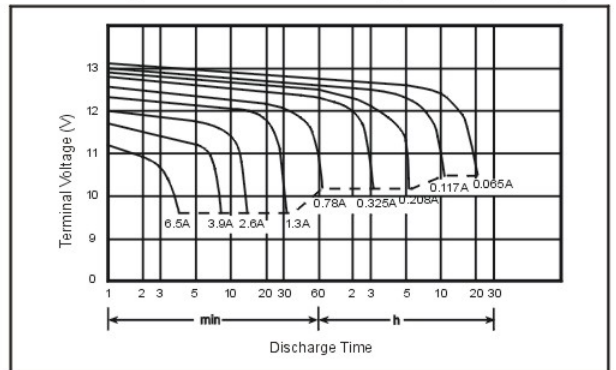
☆ CHARACTERISTICS

● CAPACITY 25 °C / 77 °F	
20 hr @ 0.065 A	: 1.3 Ah
5 hr @ 0.208 A	: 1.04 Ah
1 hr @ 0.78 A	: 0.78 Ah
1 C @ 1.3 A	: 0.65 Ah
● CHARGING VOLTAGE (25°C , 77 °F)	
STANDBY USE	: 13.65V±0.15 V
CYCLE USE	: 14.7 V±0.3V
● MAX DISCHARGE CURRENT	: 20 A (5 sec)
● MAX CHARGING CURRENT	: 0.39 A
● SELF-DISCHARGE RESIDUAL CAPACITY	
AFTER 3 MONTHS	: ~90%
AFTER 6 MONTHS	: ~82%
AFTER 12 MONTHS	: ~70%

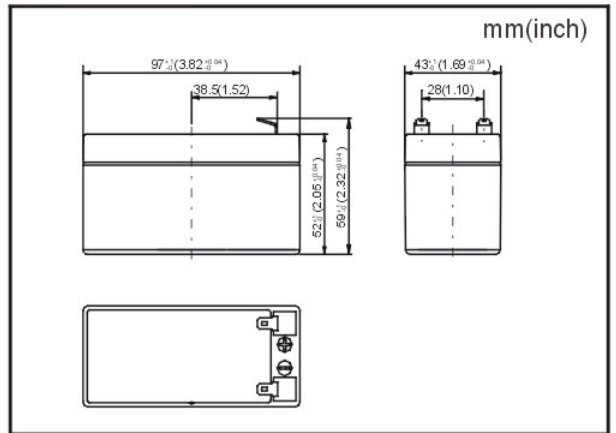
☆ Discharge Current vs Time



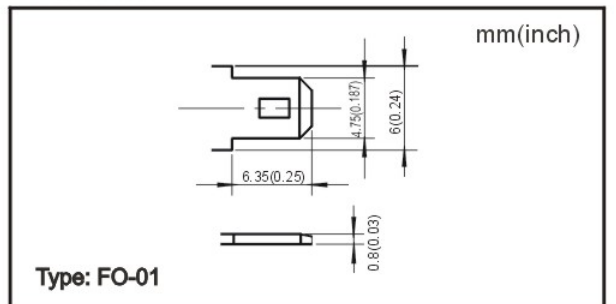
☆ Discharge Characteristics @25 °C (77 °F)



☆ Dimensions



☆ Terminal



CSB Battery Technologies, Inc.

3900 Highway 377 South, Suite 101, Fort Worth, Texas 76116
 Tel: (817) 244-7777 Fax (817) 244-4445 Toll Free: (800) 327-2872
 Email: usasls@csb-battery.com or latinsls@csb-battery.com