

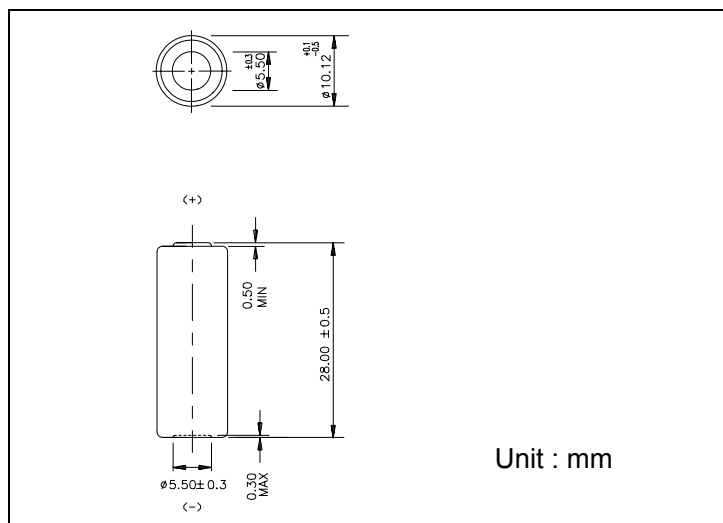
GP Batteries

Data Sheet

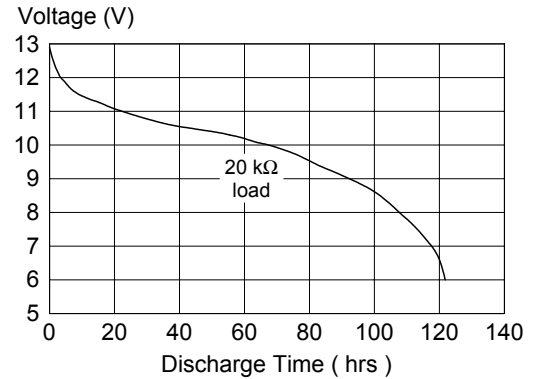
Model No.: GP23AE

Type	: Alkaline High Voltage Battery
Chemical System	: Zinc / Manganese Dioxide
Nominal Voltage	: 12V
Nominal Dimension	: \varnothing 10.0 X 28.0mm
Terminal	: Nickel plated flat contacts - protruded red (+); recessed black (-)
Jacket	: Metal jacket
Internal Connection	: Pressure
Applications	: Remote controller
Average Weight	: 7.9g
Date Code	: Every battery will carry a numeric year code and an analogue month code changing bi-monthly. Year code 0 for 2000, 1 for 2001, etc.
Shelf Life	: Not less than 95% of service life for 1 year storage at 20°C; Not less than 85% of service life for 3 year storage at 20°C
Insulation Resistance	: 5 M Ω min.
Close Circuit Voltage	: 9.5V (min.) (load resistor 400 Ω at 20°C for 0.1 to 2 seconds)
Current Drain	: Under 5mA pulse, 0.5mA continuous
Nominal Capacity (to 6.0V at 20°C)	: 55 mAh (at 20k Ω load)
Average Service Life (to 6.0V at 20°C)	: 107 hrs (at 20k Ω load)
Cross Reference	:

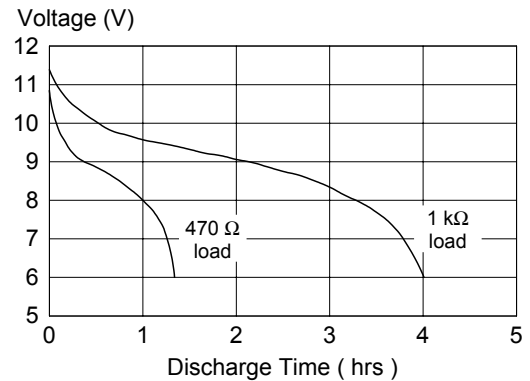
GP	Duracell	Eveready	Varta
23A	MS21/MN21	A23	V23GA



Normal Rate Discharge



High Rate Discharge



* The information (subject to change without prior notice) contained in this document is for reference only and should not be used as a basis for product guarantee or warranty. For applications other than those described here, please consult your nearest GP Sales and Marketing Office or Distributors.



Manufacturer reserves the right to alter or amend the design, model and specification without prior notice.

ZRS1129 Rev.00