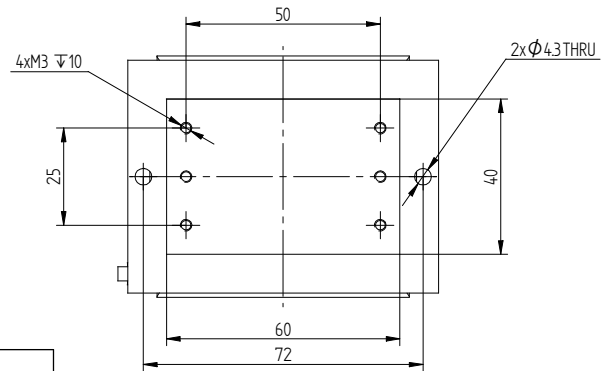


Electrical connections:

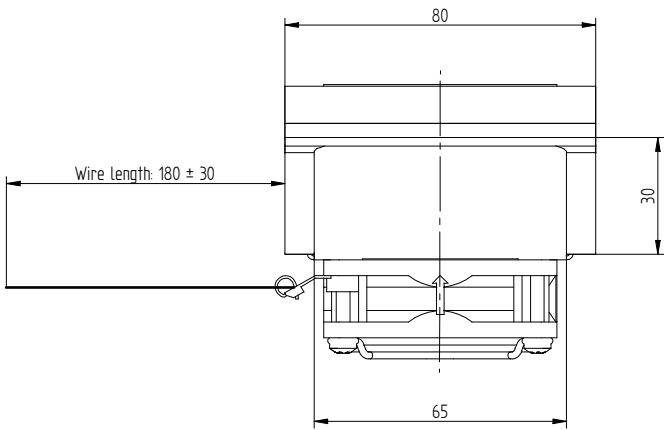
TEM+: Pink
 TEM-: Green
 FAN+: Purple
 FAN-: Blue

Specification (Ta=32°C)	Code	Description
Heat transfer, cold side	0	Direct
Heat transfer, warm side	A	Air
Cascade	-	
Cooling power (W)	024	24 W at $\Delta T=0^\circ\text{C}$. Tolerance: $\pm 10\%$.
Voltage, nominal (VDC)	12	12 VDC.
TEM Voltage (VDC)		Nominal: 12 VDC, Max: 15 VDC
TEM Current (A)		Nominal: 2.4 A, Initial: 3.0 A. All at $\Delta T=0^\circ\text{C}$. Tolerance: $\pm 10\%$.
Fan(s), cold side	0	None.
Fan(s), warm side	2	MTBF: 50,000 hrs. L10 at 25°C. Nominal current: 0.2 A. Voltage: 12 VDC. $\pm 10\%$.
Temperature controller, sensor	0	None.
Temperature control settings, trim options	0	-
Additional controller information		
Temperature control position	0	-
Options	0	-
Weight		0.3 kg
Overheating thermostat		None.
Operating temperature		-10°C to $+48^\circ\text{C}$ at nominal voltage.
TE-Module(s) temperature specification		Max. surface temperature: 80°C .
Enclosed		Thermally conductive grease.
Packing		Individual, cardboard box.

Mounting dimensions.

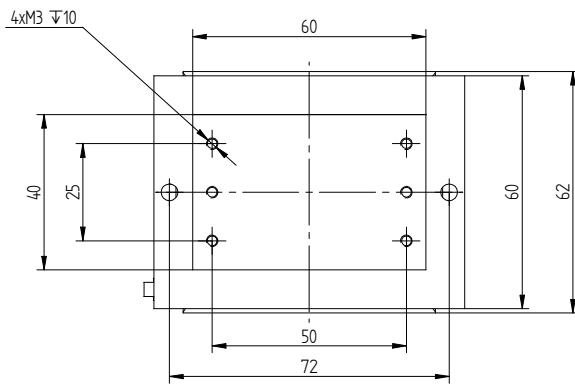
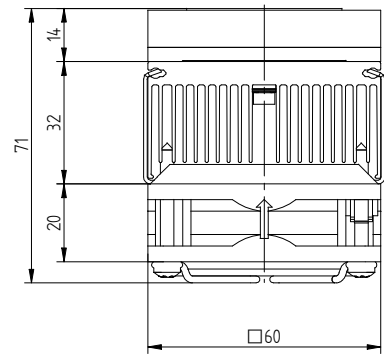


Comments / deviations		General tolerances	
Heat sinks, shrouds and, if applicable, D-plates in anodised aluminium.		SS-ISO 2768-1 c	
Designed by Pavel Cech	Approved by Hans Lindberg	Release date 20050304	Customer Supercool AB
Supercool AB Box 27, S-40120 Gothenburg, Sweden tfn: +46 31 420530, fax: +46 31 247909 e-mail: info@supercool.se Web: www.supercool.se		Project HDPC	
Title TE ASSEMBLY 12VDC DIRECT - AIR		Part nr. DA-024-12-02-00-00	Rev. nr./Status 0/0
Scale 1:1		Size, sheet A3, 1/3	



Cold side.


Warm side.



D-Plate tolerances:

Flatness: $\square 0.1/100$

Roughness: $\sqrt{3.2}$

Comments / deviations		Heat sinks, shrouds and, if applicable, D-plates in anodised aluminium.		General tolerances
				SS-ISO 2768-1 c
Designed by Pavel Cech	Approved by Hans Lindberg	Release date 20050304	Customer Supercool AB	Project HDPC
		Title TE ASSEMBLY 12VDC DIRECT - AIR		
Supercool AB Box 27, S-40120 Gothenburg, Sweden tfn: +46 31 420530, fax: +46 31 247909 e-mail: info@supercool.se Web: www.supercool.se		Part nr. DA-024-12-02-00-00	Rev. nr. 0	Status 0
		Scale 1:1	Size sheet A3, 2(3)	