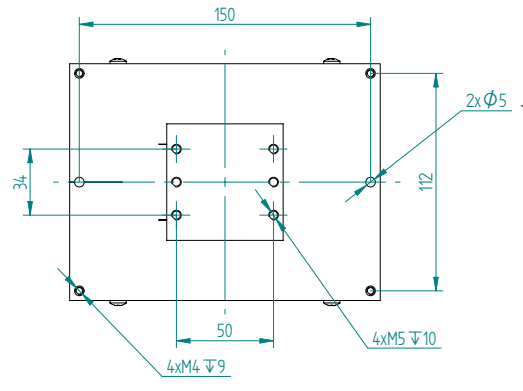



Specification (Ta=32°C)	Code	Description
Heat transfer, cold side	0	Direct
Heat transfer, warm side	A	Air
Cascade	C	yes
Cooling power (W)	035	31 W at $\Delta T=0^\circ\text{C}$ . Tolerance $\pm 10\%$ .
Voltage (VDC)	12	Nominal: 12 VDC, Max: 14 VDC
Current (A)		Nominal: 4.8 A, Initial: 5.5 A, All at $\Delta T=0^\circ\text{C}$ . Tolerance $\pm 10\%$ .
TE-Module(s)		Max. surface temperature: 80°C.
Fan(s), cold side	0	None
Fan(s), warm side	2	MTBF: 50,000 hrs. L10 at 25°C. Nominal current: 0.2 A. Voltage: 12 VDC $\pm 10\%$ .
Temperature controller, sensor	0	None
Temperature control settings, trim options	0	-
Additional controller information		-
Temperature control position	0	-
Options	0	-
Weight		12 kg
Overheating thermostat		75°C $\pm 5^\circ\text{C}$ on hot side heat sink surface.
Operating temperature		54°C
Enclosed		Thermally conductive grease.
Packing		Individual cardboard box.

Mounting dimensions.

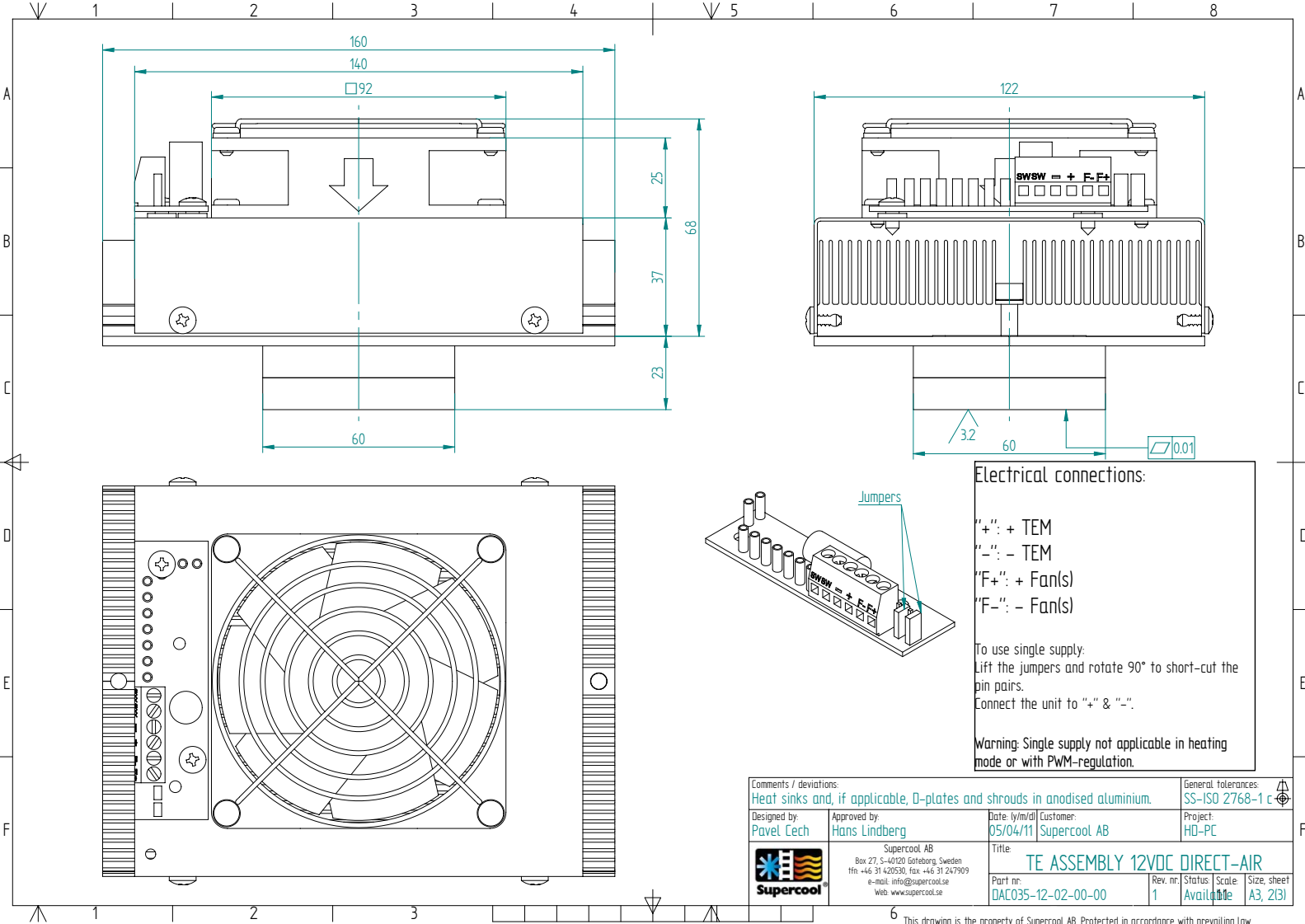


Revision notes and dates (yyymmdd):

Rev. 0: 040609, First issue.

Comments / deviations: Heat sinks and, if applicable, D-plates and shrouds in anodised aluminium.		General tolerances: SS-ISO 2768-1 c	
Designed by: Pavel Cech	Approved by: Hans Lindberg	Date (y/m/d): 05/04/11	Customer: Supercool AB
		<b>TE ASSEMBLY 12VDC DIRECT-AIR</b>	
Supercool AB Box 27, S-40120 Göteborg, Sweden tfn: +46 31 420530, fax: +46 31 247909 e-mail: info@supercool.se Web: www.supercool.se		Part nr: DAC035-12-02-00-00	Rev. nr: 1 Status: Available Scale: A3, 1:1

6 This drawing is the property of Supercool AB. Protected in accordance with prevailing law.




**Electrical connections:**

"+" : + TEM  
 "-" : - TEM  
 "F+" : + Fan(s)  
 "F-" : - Fan(s)

To use single supply:  
 Lift the jumpers and rotate 90° to short-cut the pin pairs.  
 Connect the unit to "+" & "-".

**Warning:** Single supply not applicable in heating mode or with PWM-regulation.

Comments / deviations: Heat sinks and, if applicable, D-plates and shrouds in anodised aluminium.		General tolerances: SS-ISO 2768-1 c	
Designed by Pavel Cech	Approved by Hans Lindberg	Date: l/y/m/d 05/04/11	Customer: Supercool AB
 Supercool AB Box 27, S-40120 Gothenburg, Sweden tfn: +46 31 420530, fax: +46 31 247909 e-mail: info@supercool.se Web: www.supercool.se		Title: <b>TE ASSEMBLY 12VDC DIRECT-AIR</b> Part nr: DAC035-12-02-00-00	
		Rev. nr: 1	Status: Available
		Scale: 1:1	Size, sheet: A3, 2/3

6 This drawing is the property of Supercool AB. Protected in accordance with prevailing law.