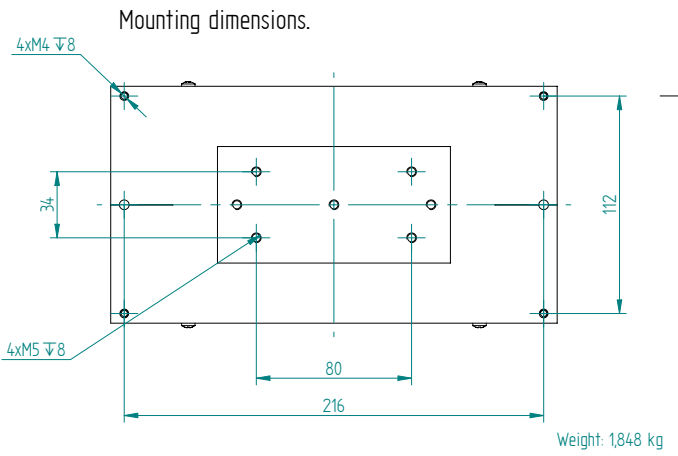



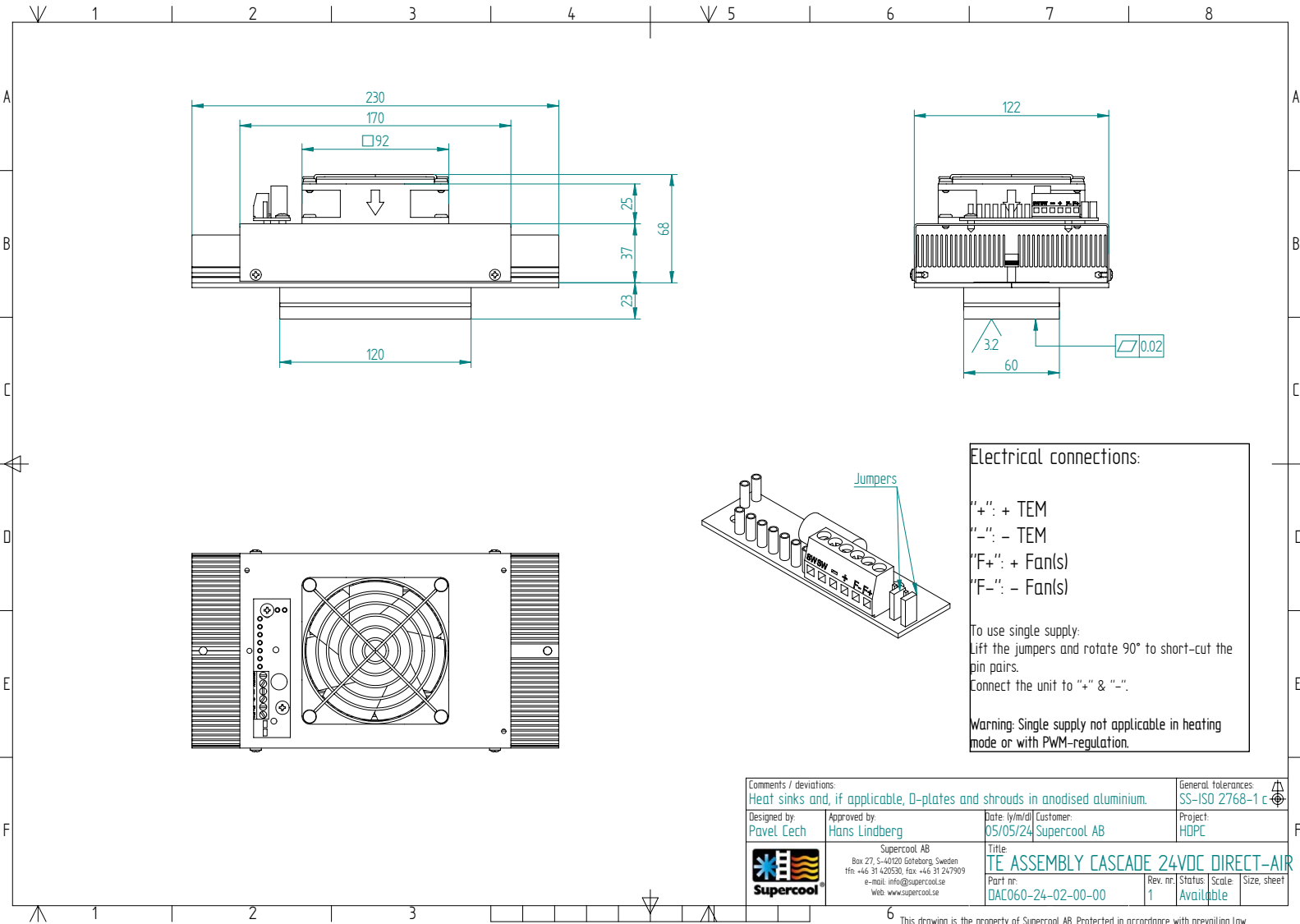
Specification (Ta=32°C)	Code	Description
Heat transfer, cold side:	0	Direct
Heat transfer, warm side:	A	Air
Cascade:	C	Multi stage system
Cooling power (W)	060	58 W at dT=0°C, Tolerance: ±10%
Voltage (VDC)	24	Nominal: 24 VDC, Max 28 VDC
Current (A3 TE-Module)		Nominal: 4.6 A, Initial: 5.5 A, All at dT=0°C, Tolerance: ±10%. Max. surface temperature: 80°C.
Fan(s), cold side:	0	None
Fan(s), warm side:	2	MTBF: 50,000 hrs. L10 at 25°C, Nominal current: 0.2 A, Voltage: 24 VDC ±10%.
Temperature controller, sensor:	0	None
Temperature control settings, trim options:	0	-
Additional controller information		
Temperature control position:	0	-
Options:	0	-
Weight:		18 kg
Overheating thermostat:		75°C ±5°C on hot side heat sink surface.
Operating temperature:		-48°C
Enclosed:		Thermally conductive grease
Packing:		Individual cardboard box.



Revision notes and dates (yyymmdd):
Rev. 0: 040609, First issue.

Comments / deviations: Heat sinks and, if applicable, D-plates and shrouds in anodised aluminium.		General tolerances: SS-ISO 2768-1 c	
Designed by: Pavel Cech	Approved by: Hans Lindberg	Date (y/m/d): 05/05/24	Customer: Supercool AB
 Supercool AB Box 27, S-40120 Göteborg, Sweden tfn: +46 31 420550, fax: +46 31 247909 e-mail: info@supercool.se Web: www.supercool.se		Title: TE ASSEMBLY CASCADE 24VDC DIRECT-AIR Part nr: DAC060-24-02-00-00	
Rev. nr: 1	Status: Available	Scale: 1:1	Size, sheet: A3, 1/31

This drawing is the property of Supercool AB. Protected in accordance with prevailing law.




Electrical connections:

"+" : + TEM
 "-" : - TEM
 "F+" : + Fan(s)
 "F-" : - Fan(s)

To use single supply:
 Lift the jumpers and rotate 90° to short-cut the pin pairs.
 Connect the unit to "+" & "-".

Warning: Single supply not applicable in heating mode or with PWM-regulation.

Comments / deviations: Heat sinks and, if applicable, D-plates and shrouds in anodised aluminium.		General tolerances: SS-ISO 2768-1 c	
Designed by: Pavel Cech	Approved by: Hans Lindberg	Date: l/y/m/d Customer: 05/05/24 Supercool AB	Project: HOPC
 Supercool AB Box 27, S-40120 Gothenburg, Sweden tfn: +46 31 420530, fax: +46 31 247909 e-mail: info@supercool.se Web: www.supercool.se		Title: TE ASSEMBLY CASCADE 24VDC DIRECT-AIR Part nr: DAC060-24-02-00-00	
		Rev. nr: 1	Status: Available
		Scale:	Size, sheet

6 This drawing is the property of Supercool AB. Protected in accordance with prevailing law.