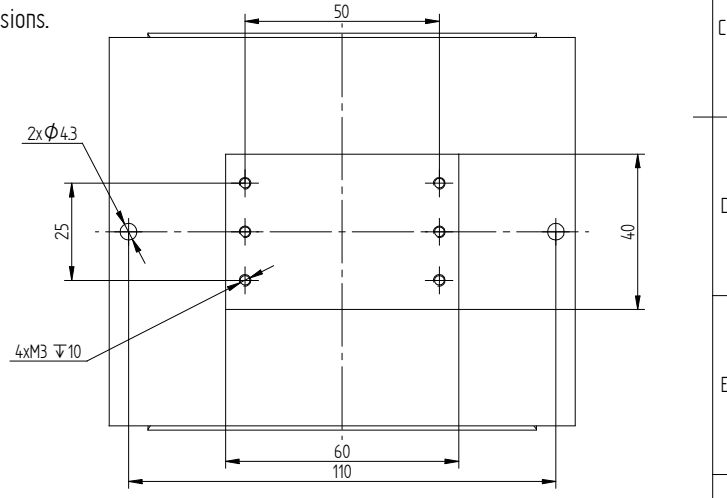


Specification (Ta=32°C)	Code	Description
Heat transfer, cold side	0	Direct
Heat transfer, warm side	A	Air
Cascade	-	
Cooling power: (W)	044	42 W at $\Delta T=0^\circ\text{C}$. Tolerance: $\pm 10\%$.
Voltage, nominal (VDC)	12	12 VDC
TEM Voltage (VDC)		Nominal: 12 VDC, Max: 15 VDC
TEM Current (A)		Nominal: 3.8 A, Initial: 4.7 A, All at $\Delta T=0^\circ\text{C}$. Tolerance: $\pm 10\%$.
Fan(s), cold side	0	None
Fan(s), warm side	2	MTBF: 50,000 hrs. L10 at 25°C. Nominal current: 0.25 A. Voltage: 12 VDC $\pm 10\%$.
Temperature controller, sensor	0	None
Temperature control settings, trim options	0	-
Additional controller information:		
Temperature control position	0	-
Options	0	-
Weight:		0.6 kg
Overheating thermostat:		None
Operating temperature:		-10°C to $+46^\circ\text{C}$ at nominal voltage.
TE-Module(s) temperature specification:		Max surface temperature: 80°C
Enclosed:		Thermally conductive grease.
Packing:		Individual cardboard box.

Mounting dimensions.



Electrical connections:
 TEM+: Pink
 TEM-: Green
 FAN+: Purple
 FAN-: Blue

Comments / deviations		General tolerances	
Heat sinks, shrouds and, if applicable, D-plates in anodised aluminium.		SS-ISO 2768-1 c	
Designed by Henrik Höjer	Approved by Hans Lindberg	Release date 20050304	Customer Supercool AB
Project HDPC		Title TE ASSEMBLY 12 VDC DIRECT - AIR	
Part nr. DA-044-12-02-00-00		Rev. nr. 0	Status 0
Scale 1:1		Size, sheet A3, 1B1	



Supercool AB
 Box 27, S-40120 Göteborg, Sweden
 tfn: +46 31 420530, fax: +46 31 247909
 e-mail: info@supercool.se
 Web: www.supercool.se

