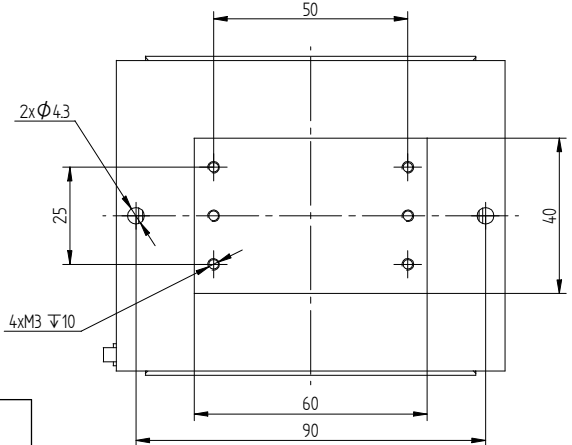



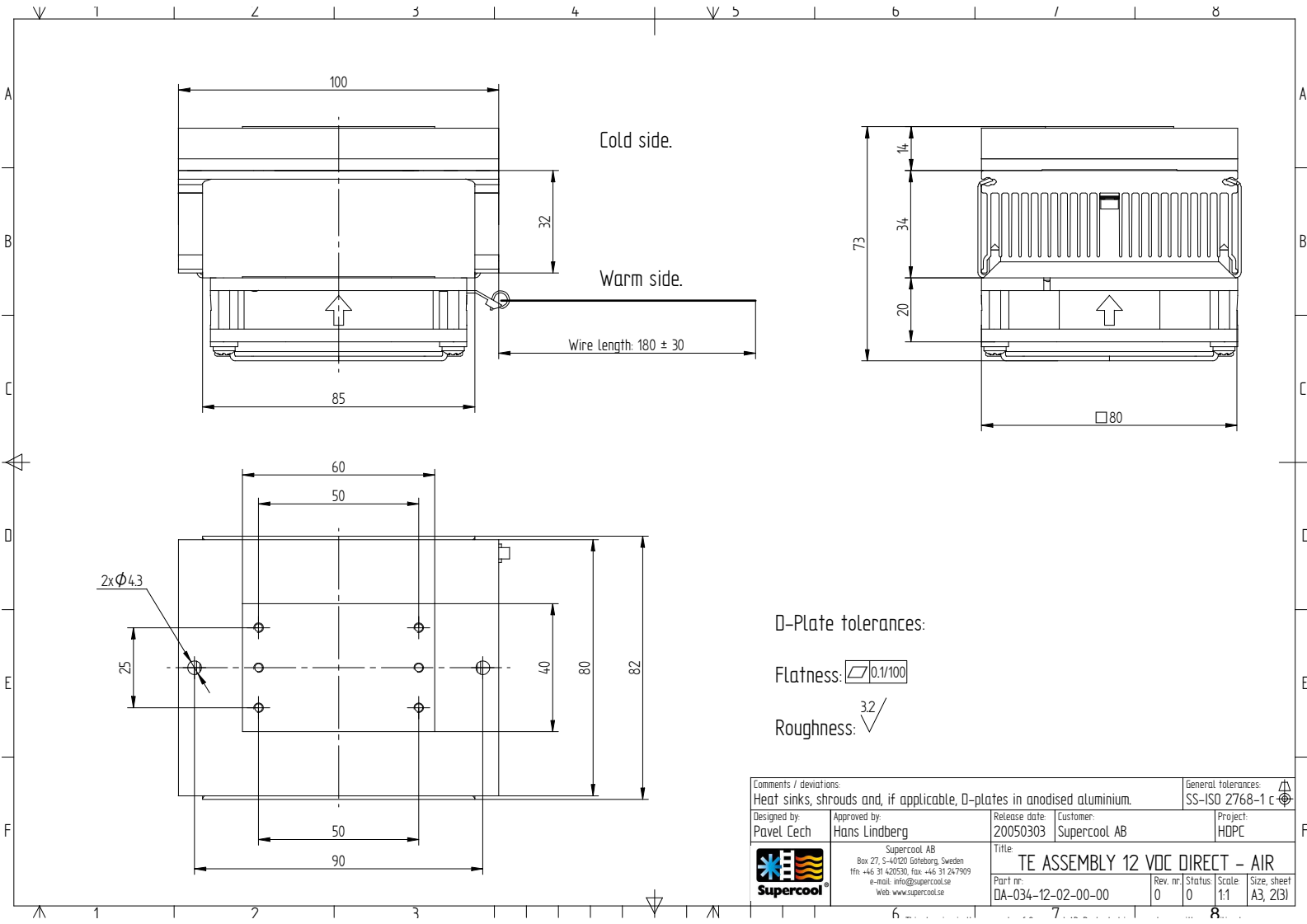
Specification (Ta=32°C)	Code	Description
Heat transfer, cold side	D	Direct
Heat transfer, warm side	A	Air
Cascade	-	
Cooling power (W)	034	34 W at $\Delta T=0^\circ\text{C}$. Tolerance: $\pm 10\%$.
Voltage, nominal (VDC)	12	12 VDC
TEM Voltage (VDC)		Nominal: 12 VDC, Max: 15 VDC
TEM Current (A)		Nominal: 2.6 A, Initial: 3.2 A. All at $\Delta T=0^\circ\text{C}$. Tolerance: $\pm 10\%$.
Fan(s), cold side	0	None
Fan(s), warm side	2	MTBF: 51000 hrs. L10 at 25°C. Nominal current: 0.24 A. Voltage: 12 VDC $\pm 10\%$.
Temperature controller, sensor	0	None
Temperature control settings, trim options	0	-
Additional controller information		
Temperature control position	0	-
Options	0	-
Weight:		0.45 kg
Overheating thermostat:		None
Operating temperature:		-10°C to $+45^\circ\text{C}$ at nominal voltage.
TE-Module(s) temperature specification:		Max. surface temperature: 80°C
Enclosed:		Thermally conductive grease.
Packing:		Individual cardboard box.

Mounting dimensions.



Electrical connections:
 TEM+: Pink
 TEM-: Green
 FAN+: Purple
 FAN-: Blue


Comments / deviations		Heat sinks, shrouds and, if applicable, D-plates in anodised aluminium.		General tolerances
				SS-ISO 2768-1 c
Designed by	Approved by	Release date	Customer	Project
Pavel Cech	Hans Lindberg	20050303	Supercool AB	HDPC
		Title: TE ASSEMBLY 12 VDC DIRECT - AIR		
Supercool AB Box 27, S-40120 Gothenburg, Sweden tfn: +46 31 420530, fax: +46 31 247909 e-mail: info@supercool.se Web: www.supercool.se		Part nr:	Rev. nr.	Status
		DA-034-12-02-00-00	0	0
			Scale:	Size, sheet
			1:1	A3, 1B1



D-Plate tolerances:

Flatness: $\square 0.1/100$

Roughness: $\sqrt{32}$

Comments / deviations				General tolerances	
Heat sinks, shrouds and, if applicable, D-plates in anodised aluminium.				SS-ISO 2768-1 c	
Designed by Pavel Cech	Approved by Hans Lindberg	Release date 20050303	Customer Supercool AB	Project HDPC	
 Supercool AB Box 27, S-40120 Gothenburg, Sweden tlf: +46 31 420530, fax: +46 31 247909 e-mail: info@supercool.se Web: www.supercool.se		Title TE ASSEMBLY 12 VDC DIRECT - AIR		Part nr. DA-034-12-02-00-00	Rev. nr./Status 0/0
		Scale 1:1	Size sheet A3, 2(3)		