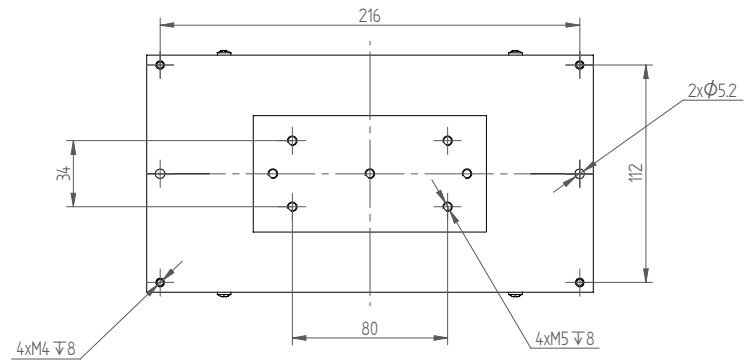



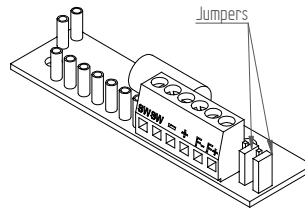
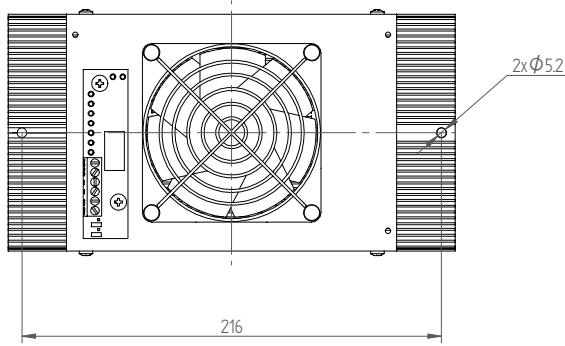
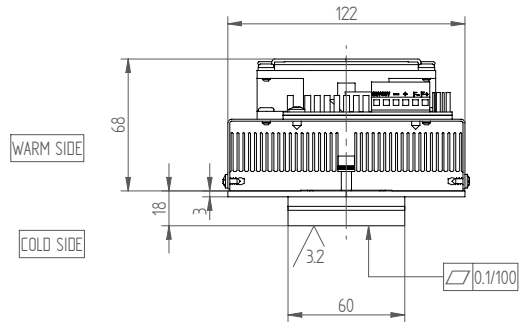
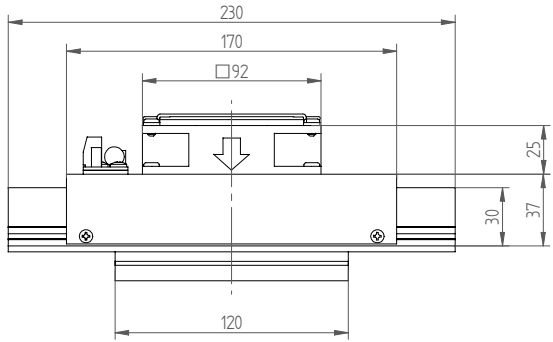
Specification (Ta=32°C)	Code	Description
Heat transfer, cold side	D	Direct
Heat transfer, warm side	A	Air
Cascade	-	
Cooling power (W)	75	71 W at $\Delta T=0^\circ\text{C}$. Tolerance: $\pm 10\%$.
Voltage, nominal (VDC)	12	12 VDC
TEM Voltage (VDC)		Nominal: 12 VDC, Max: 15 VDC.
TEM Current (A)		Nominal: 7.4 A, Initial: 9.0 A, All at $\Delta T=0^\circ\text{C}$. Tolerance: $\pm 10\%$.
Fan(s), cold side	0	None
Fan(s), warm side	2	MTBF: 50,000 hrs. L10 at 25°C. Nominal current: 0.39 A. Voltage: 12 VDC $\pm 10\%$.
Temperature controller, sensor	0	None
Temperature control settings, trim options	0	-
Additional controller information		
Temperature control position	0	-
Options	0	-
Weight:		17 kg
Overheating thermostat:		75°C $\pm 5^\circ\text{C}$ on hot side heat sink surface.
Operating temperature:		-10°C to +49°C at nominal voltage.
TE-Module(s) temperature specification		Max surface temperature: 80°C
Enclosed		Thermally conductive grease
Packing		Individual cardboard box

Mounting hole print.



Comments / deviations: Heat sinks and, if applicable, D-plates and shrouds in anodised aluminium.			General tolerances: SS-ISO 2768-1 c	
Designed by: Pavel Cech	Approved by: Hans Lindberg	Release date: 20041109	Customer: Supercool AB	Project: HDPC
 Supercool AB Box 27, S-40120 Göteborg, Sweden tfn: +46 31 420530, fax: +46 31 247909 e-mail: info@supercool.se Web: www.supercool.se		Title: TE ASSEMBLY 12VDC DIRECT - AIR		
Part nr: DA-075-12-02-00-00	Rev. nr: 0	Status: 0	Scale: 1:2	Size, sheet: A3, 113

6 This drawing is the property of Supercool AB. Protected in accordance with prevailing law.




Electrical connections:

- "+" : + TEM
- "-" : - TEM
- "F+" : + Fan(s)
- "F-" : - Fan(s)

To use single supply:
Lift the jumpers and rotate 90° to short-cut the pin pairs.
Connect the unit to "+" & "-".

Warning: Single supply not applicable in heating mode or with PWM-regulation.

Comments / deviations: Heat sinks and, if applicable, D-plates and shrouds in anodised aluminium.		General tolerances: SS-ISO 2768-1 cM	
Designed by: Pavel Cech	Approved by: Hans Lindberg	Release date: 20041109	Customer: Supercool AB
 Supercool AB Box 27, S-40120 Göteborg, Sweden tfn: +46 31 420530, fax: +46 31 247909 e-mail: info@supercool.se Web: www.supercool.se		Title: TE ASSEMBLY 12VDC DIRECT - AIR	
		Part nr: DA-075-12-02-00-00	Rev. nr: 0
		Size, sheet: A3, 2(3)	

6 This drawing is the property of Supercool AB. Protected in accordance with prevailing law.