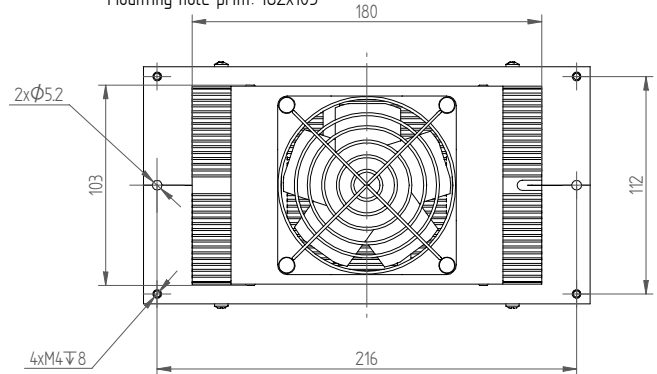



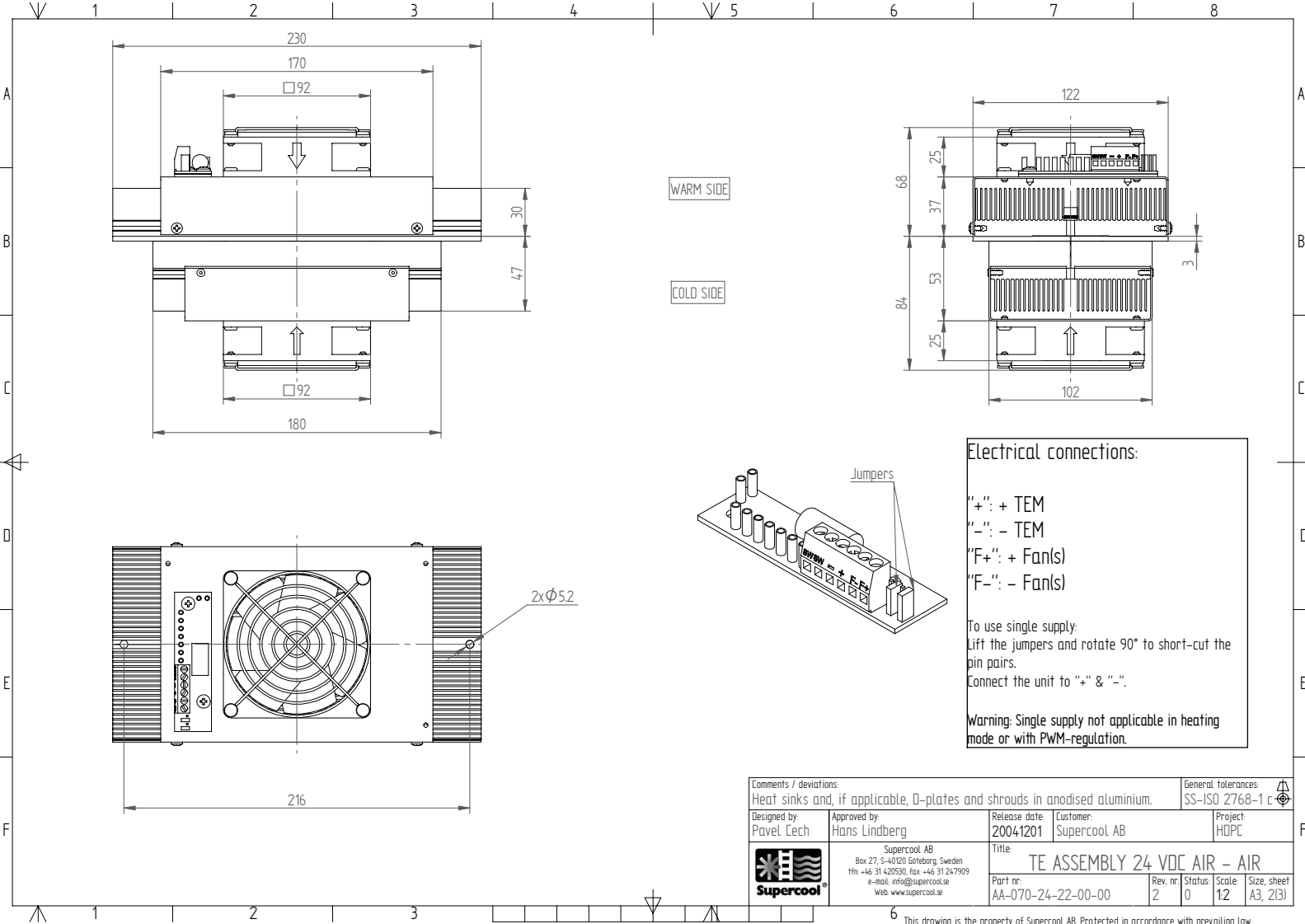
Specification (Ta=32°C)	Code	Description
Heat transfer, cold side	A	Air
Heat transfer, warm side	A	Air
Cascade	-	
Cooling power (W)	070	71 W at $\Delta T=0^\circ\text{C}$ . Tolerance: $\pm 10\%$ .
Voltage, nominal (VDC)	24	24 VDC
TEM Voltage (VDC)		Nominal: 24 VDC, Max: 30 VDC
TEM Current (A)		Nominal: 3.4 A, Initial: 4.7 A. All at $\Delta T=0^\circ\text{C}$ . Tolerance: $\pm 10\%$ .
Fan(s), cold side	2	MTBF: 52,000 hrs. L10 at 25°C. Nominal current: 0.15 A. Voltage: 24 VDC $\pm 10\%$ .
Fan(s), warm side	2	MTBF: 50,000 hrs. L10 at 25°C. Nominal current: 0.21 A. Voltage: 24 VDC $\pm 10\%$ .
Temperature controller, sensor	0	None.
Temperature control settings, trim options	0	
Additional controller information		
Temperature control position	0	
Options	0	
Weight		2.5 kg
Overheating thermostat		75°C $\pm 5^\circ\text{C}$ on hot side heat sink surface.
Operating temperature		-10°C to +48°C at nominal voltage.
TE-Module(s) temperature specification		Max surface temperature: 80°C.
Enclosed		-
Packing		Individual cardboard box.

Mounting hole print: 182x105



Comments / deviations: Heat sinks and, if applicable, D-plates and shrouds in anodised aluminium.			General tolerances: SS-ISO 2768-1 c	
Designed by: Pavel Cech	Approved by: Hans Lindberg	Release date: 20041201	Customer: Supercool AB	Project: HDPC
 Supercool AB Box 27, S-40120 Göteborg, Sweden tfn: +46 31 420530, fax: +46 31 247909 e-mail: info@supercool.se Web: www.supercool.se		Title: <b>TE ASSEMBLY 24 VDC AIR - AIR</b> Part nr: AA-070-24-22-00-00		
		Rev. nr: 2	Status: 0	Scale: 1:2
				Size, sheet: A3, 1/3

6 This drawing is the property of Supercool AB. Protected in accordance with prevailing law.




**Electrical connections:**

- "+" : + TEM
- "-" : - TEM
- "F+" : + Fan(s)
- "F-" : - Fan(s)

To use single supply:  
Lift the jumpers and rotate 90° to short-cut the pin pairs.  
Connect the unit to "+" & "-".

**Warning: Single supply not applicable in heating mode or with PWM-regulation.**

Comments / deviations: Heat sinks and, if applicable, D-plates and shrouds in anodised aluminium.		General tolerances: SS-ISO 2768-1 c	
Designed by: Pavel Cech	Approved by: Hans Lindberg	Release date: 20041201	Customer: Supercool AB
 Supercool AB Box 27, S-40120 Göteborg, Sweden tfn: +46 31 420530, fax: +46 31 247909 e-mail: info@supercool.se Web: www.supercool.se		Title: <b>TE ASSEMBLY 24 VDC AIR - AIR</b>	
		Part nr: AA-070-24-22-00-00	Rev. nr./Status: 2 / 0

6 This drawing is the property of Supercool AB. Protected in accordance with prevailing law.