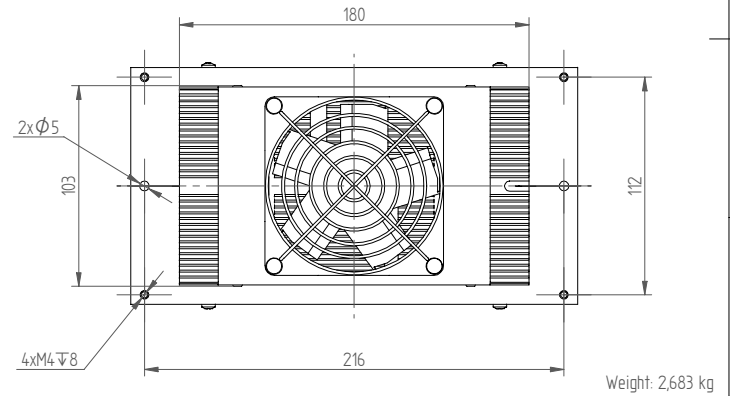



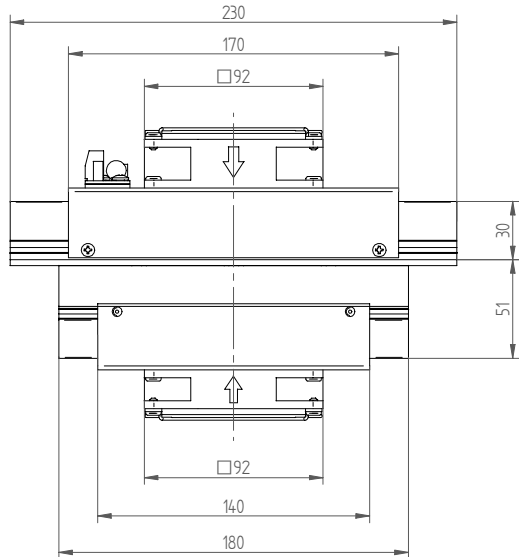
Specification (Ta=32°C)	Code	Description
Heat transfer, cold side	A	Air
Heat transfer, warm side	A	Air
Cascade	C	Cascade
Cooling power: [W]	050	49 W at dT=0°C. Tolerance: ±10%.
Voltage, nominal: [VDC]	24	24 VDC.
TEM Voltage: [VDC]		Nominal: 24 VDC, Max: 30 VDC.
TEM Current: [A]		Nominal: 4.7 A, Initial: 5.6 A, All: at dT=0°C. Tolerance: ±10%.
Fan(s) cold side	2	MTBF: 50,000 hrs. L10 at 25°C. Nominal current: 0.3% A. Voltage: 24 VDC ±10%.
Fan(s) warm side	2	MTBF: 50,000 hrs. L10 at 25°C. Nominal current: 0.21 A. Voltage: 24 VDC ±10%.
Temperature controller, sensor	0	None.
Temperature control settings, trim options	0	-
Additional controller information		
Temperature control position	0	-
Options	0	-
Weight:		27 kg
Overheating thermostat:		75°C ±5°C on hot side heat sink surface.
Operating temperature:		-10°C to +47°C at nominal voltage.
TE-Modul(s) temperature specification		Max. surface temperature: 80°C.
Enclosed:		-
Packing:		Individual cardboard box.

Mounting hole print: 182x105



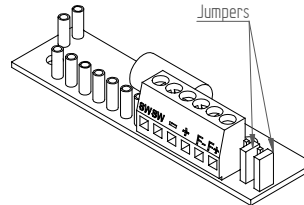
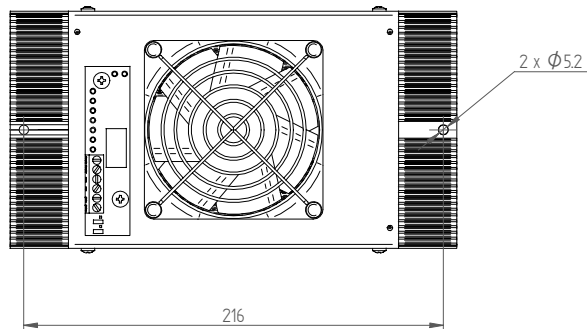
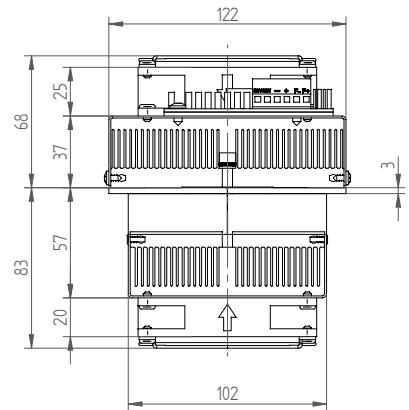
Comments / deviations: Heat sinks and, if applicable, D-plates and shrouds in anodised aluminium.				General tolerances: SS-ISO 2768-1 c	
Designed by: Pavel Cech	Approved by: Hans Lindberg	Release date: 20041020	Customer: Supercool AB	Project: HDPC	
 Supercool AB Box 27, S-40120 Göteborg, Sweden tfn: +46 31 420530, fax: +46 31 247909 e-mail: info@supercool.se Web: www.supercool.se		Title: TE ASSEMBLY 24VDC AIR - AIR CASCADE Part nr: AAC050-24-22-00-00			
		Rev. nr: 1	Status: 0	Scale: 12	Size, sheet: A3, 1/31

6 This drawing is the property of Supercool AB. Protected in accordance with prevailing law.



WARM SIDE

COLD SIDE



Electrical connections:

- "+" : + TEM
- "-" : - TEM
- "F+" : + Fan(s)
- "F-" : - Fan(s)


To use single supply:
Lift the jumpers and rotate 90° to short-cut the pin pairs.
Connect the unit to "+" & "-".

Warning: Single supply not applicable in heating mode or with PWM-regulation.

Comments / deviations:

Heat sinks and, if applicable, D-plates and shrouds in anodised aluminium.

General tolerances:
SS-ISO 2768-1 c

Designed by Pavel Cech	Approved by Hans Lindberg	Release date 20041020	Customer Supercool AB	Project HDPC
		Title TE ASSEMBLY 24VDC AIR - AIR CASCADE		Part nr. AAC050-24-22-00-00
Supercool AB Box 27, S-40120 Göteborg, Sweden tfn +46 31 420530, fax +46 31 247909 e-mail: info@supercool.se Web: www.supercool.se		Rev. nr. 1	Status 0	Scale 1:2
				Size, sheet A3, 2/3

This drawing is the property of Supercool AB. Protected in accordance with prevailing law.