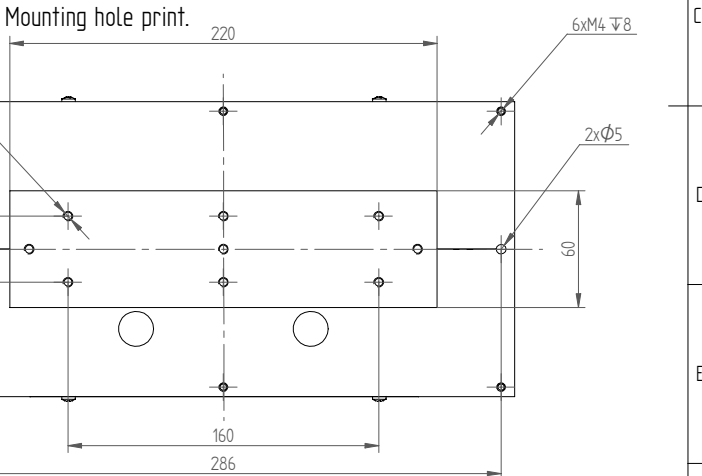

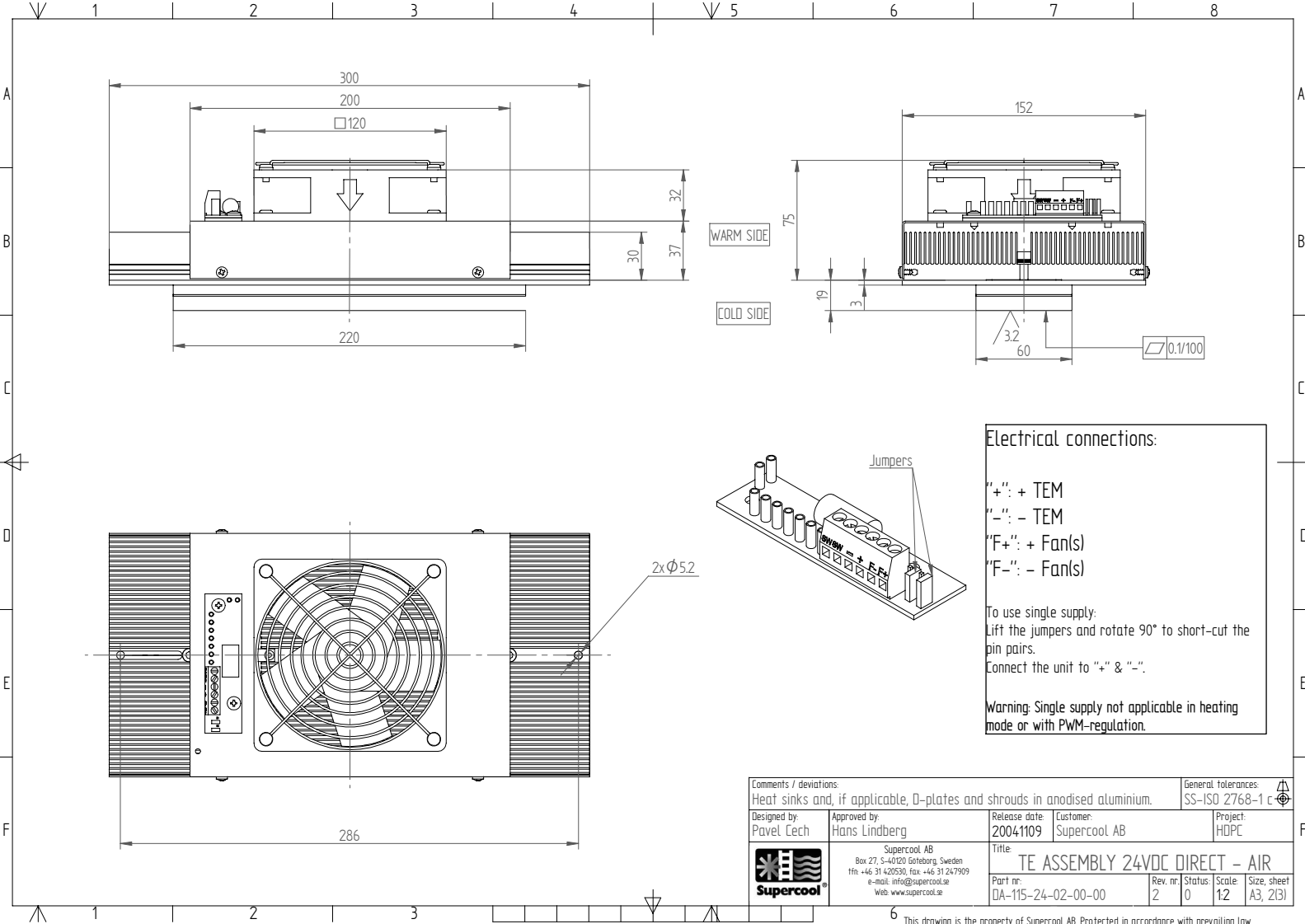


Specification (Ta=32°C)	Code	Description
Heat transfer, cold side	0	Direct
Heat transfer, warm side	A	Air
Cascade	-	
Cooling power (W)	115	115 W at $\Delta T=0^\circ\text{C}$. Tolerance $\pm 10\%$.
Voltage, nominal (VDC)	24	24 VDC
TEM Voltage (VDC)		Nominal: 24 VDC, Max: 30 VDC.
TEM Current (A)		Nominal: 5.8 A, Initial: 6.7 A. All at $\Delta T=0^\circ\text{C}$. Tolerance $\pm 10\%$.
Fan(s), cold side	0	None.
Fan(s), warm side	2	MTBF: 50,000 hrs. L10 at 25°C. Nominal current: 0.25 A. Voltage: 24 VDC $\pm 10\%$.
Temperature controller, sensor	0	None.
Temperature control settings, trim options	0	-
Additional controller information		
Temperature control position	0	-
Options	0	-
Weight:		2.9 kg
Overheating thermostat:		75°C $\pm 5^\circ\text{C}$ on hot side heat sink surface.
Operating temperature:		-10°C to +47°C at nominal voltage.
TE-Module(s) temperature specification:		Max surface temperature: 80°C
Enclosed:		Thermally conductive grease
Packing:		Individual cardboard box.



Comments / deviations: Heat sinks and, if applicable, D-plates and shrouds in anodised aluminium.		General tolerances: SS-ISO 2768-1 c	
Designed by: Pavel Cech	Approved by: Hans Lindberg	Release date: 20041109	Customer: Supercool AB
 Supercool AB Box 27, S-40120 Göteborg, Sweden tfn: +46 31 420530, fax: +46 31 247909 e-mail: info@supercool.se Web: www.supercool.se		Title: TE ASSEMBLY 24VDC DIRECT - AIR Part nr: DA-115-24-02-00-00	
Rev. nr:	Status:	Scale:	Size, sheet:
2	0	12	A3, 1131

6 This drawing is the property of Supercool AB. Protected in accordance with prevailing law.



Comments / deviations: Heat sinks and, if applicable, D-plates and shrouds in anodised aluminium.		General tolerances: SS-ISO 2768-1 c	
Designed by: Pavel Cech	Approved by: Hans Lindberg	Release date: 20041109	Customer: Supercool AB
Supercool AB Box 27, S-40120 Göteborg, Sweden tfn: +46 31 420530, fax: +46 31 247909 e-mail: info@supercool.se Web: www.supercool.se		Project: HDPC	
Title: TE ASSEMBLY 24VDC DIRECT - AIR		Part nr: DA-115-24-02-00-00	Rev. nr./Status: 2/0
Scale: 1:2		Size, sheet: A3, 2/3	

6 This drawing is the property of Supercool AB. Protected in accordance with prevailing law.