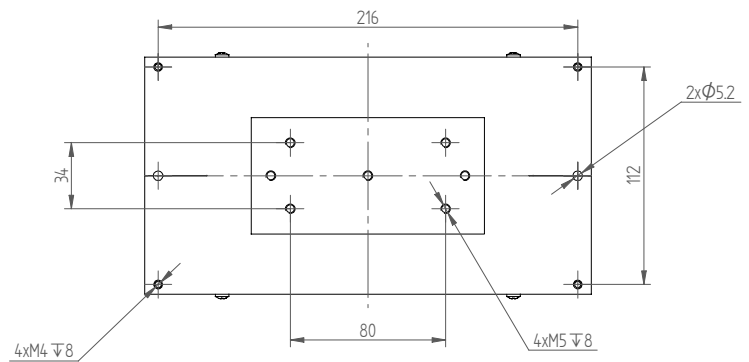



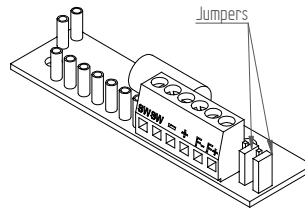
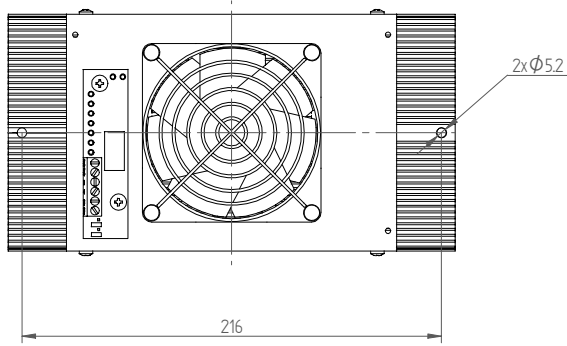
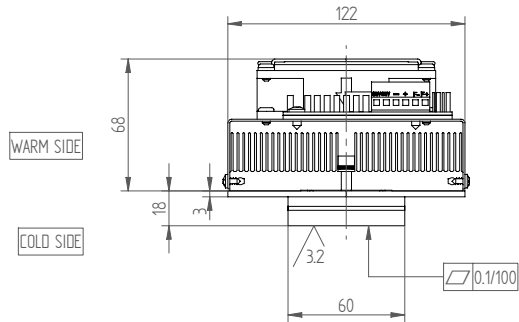
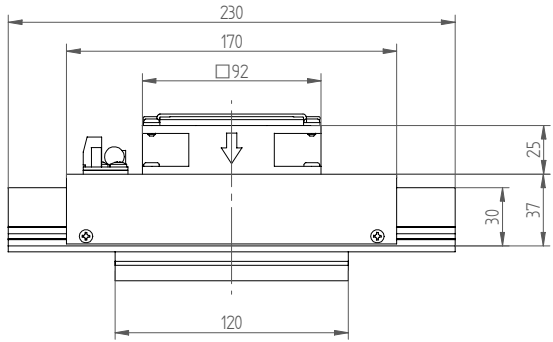
| Specification (Ta=32°C)                    | Code | Description   |
|--|------|---|
| Heat transfer, cold side                   | D    | Direct  |
| Heat transfer, warm side                   | A    | Air   |
| Cascade                                    | -    | -   |
| Cooling power (W)                          | 75   | 71 W at $\Delta T=0^\circ\text{C}$ . Tolerance: $\pm 10\%$ .                                |
| Voltage, nominal (VDC)                     | 24   | 24 VDC  |
| TEM Voltage (VDC)                          |      | Nominal: 24 VDC, Max: 30 VDC  |
| TEM Current (A)                            |      | Nominal: 3.7 A, Initial: 4.5 A. All at $\Delta T=0^\circ\text{C}$ . Tolerance: $\pm 10\%$ . |
| Fan(s), cold side                          | 0    | None  |
| Fan(s), warm side                          | 2    | MTBF: 50,000 hrs. L10 at 25°C. Nominal current: 0.21 A. Voltage: 24 VDC $\pm 10\%$ .        |
| Temperature controller, sensor             | 0    | None  |
| Temperature control settings, trim options | 0    | -   |
| Additional controller information          |      |   |
| Temperature control position               | 0    | -   |
| Options                                    | 0    | -   |
| Weight:                                    |      | 17 kg   |
| Overheating thermostat:                    |      | 75°C $\pm 5^\circ\text{C}$ on hot side heat sink surface.                                   |
| Operating temperature:                     |      | -10°C to +49°C at nominal voltage.  |
| TE-Module(s) temperature specification     |      | Max surface temperature: 80°C   |
| Enclosed                                   |      | Thermally conductive grease   |
| Packing                                    |      | Individual cardboard box  |

### Mounting hole print.



|   |                               |   |  |                         |
|---|-------------------------------|---|--|-------------------------|
| Comments / deviations:<br>Heat sinks and, if applicable, D-plates and shrouds in anodised aluminium.  |                               |   | General tolerances:<br>SS-ISO 2768-1 c |                         |
| Designed by:<br>Pavel Cech  | Approved by:<br>Hans Lindberg | Release date:<br>20041109   | Customer:<br>Supercool AB              | Project:<br>HDPC        |
|  Supercool AB<br>Box 27, S-40120 Göteborg, Sweden<br>tfn: +46 31 420530, fax: +46 31 247909<br>e-mail: info@supercool.se<br>Web: www.supercool.se |                               | Title:<br><b>TE ASSEMBLY 24VDC DIRECT - AIR</b><br>Part nr:<br>DA-075-24-02-00-00 |  |                         |
|   |                               | Rev. nr:<br>2   | Status:<br>0                           | Scale:<br>1:2           |
|   |                               |   |  | Size, sheet:<br>A3, 113 |

6 This drawing is the property of Supercool AB. Protected in accordance with prevailing law.




**Electrical connections:**

- "+" : + TEM
- "-" : - TEM
- "F+" : + Fan(s)
- "F-" : - Fan(s)

To use single supply:  
Lift the jumpers and rotate 90° to short-cut the pin pairs.  
Connect the unit to "+" & "-".

**Warning:** Single supply not applicable in heating mode or with PWM-regulation.

|   |                               |   |                           |
|---|-------------------------------|---|---------------------------|
| Comments / deviations:<br>Heat sinks and, if applicable, D-plates and shrouds in anodised aluminium.  |                               | General tolerances:<br>SS-ISO 2768-1 cM         |                           |
| Designed by:<br>Pavel Cech  | Approved by:<br>Hans Lindberg | Release date:<br>20041109                       | Customer:<br>Supercool AB |
|  Supercool AB<br>Box 27, S-40120 Göteborg, Sweden<br>tfn: +46 31 420530, fax: +46 31 247909<br>e-mail: info@supercool.se<br>Web: www.supercool.se |                               | Title:<br><b>TE ASSEMBLY 24VDC DIRECT - AIR</b> |                           |
|   |                               | Part nr:<br>DA-075-24-02-00-00                  | Rev. nr./Status:<br>2 / 0 |

6 This drawing is the property of Supercool AB. Protected in accordance with prevailing law.