



Bi-Sonic

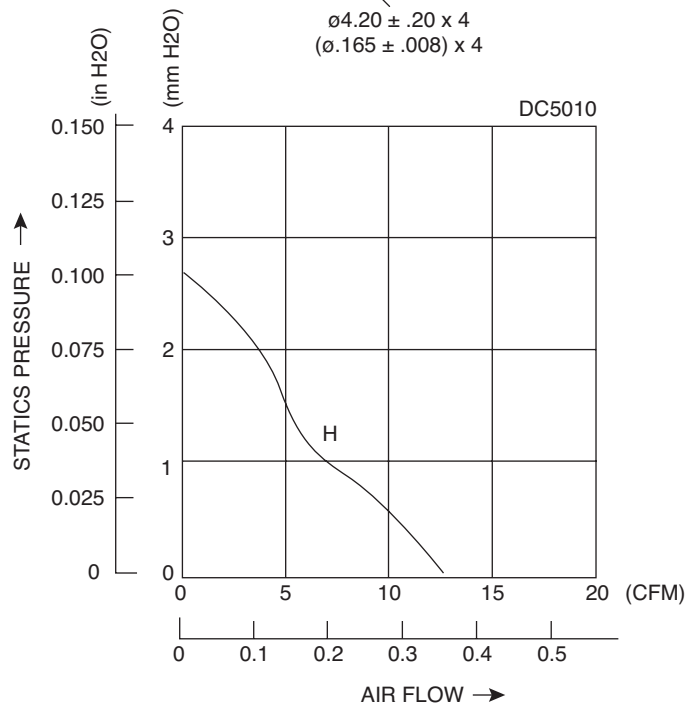
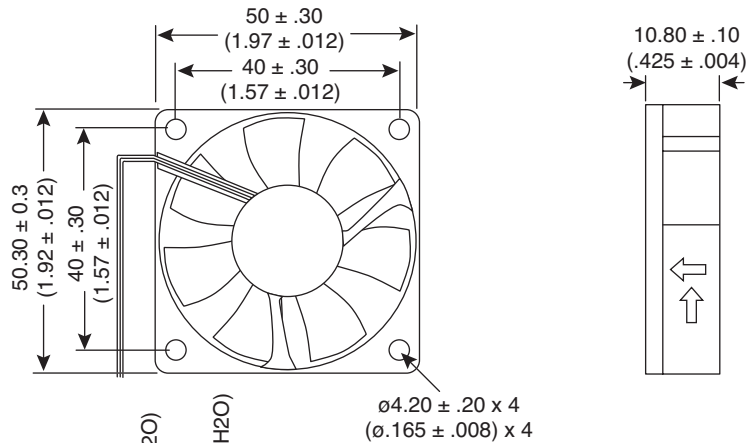
DC Brushless Fan

433-BP501012H

Date Last Revised: 7-13-06

BI-200011

Dimensions: mm (In.)



Electrical Specifications:

- Insulation resistance: 10M Ω min. @ 500 VDC (between frame and terminal)
- Dielectric Strength: 5mA max @ 500 VAC 60Hz for 1 min. (between frame and terminal)
- Voltage: 12 VDC
- Operating voltage range: 10.2V - 13.8V
- Rated Current: 0.16A
- Rated Input Power: 1.92W
- Speed: 5500 R.P.M.
- Max. air flow: 12.21 CFM
- Noise: 32 dB-A

Mechanical Specifications:

- Operating temperature: -30°C to +75°C

Materials:

- Housing: glass fiber reinforced plastic
- Impeller: PBT are UL 94V-0 rating
- Bearing: Ball

Note:

- RoHS compliant by exemption

Available from Mouser Electronics

1-800-346-6873

www.mouser.com

Specifications are subject to change without notice. No liability or warranty implied by this information. Environmental compliance based on producer documentation.