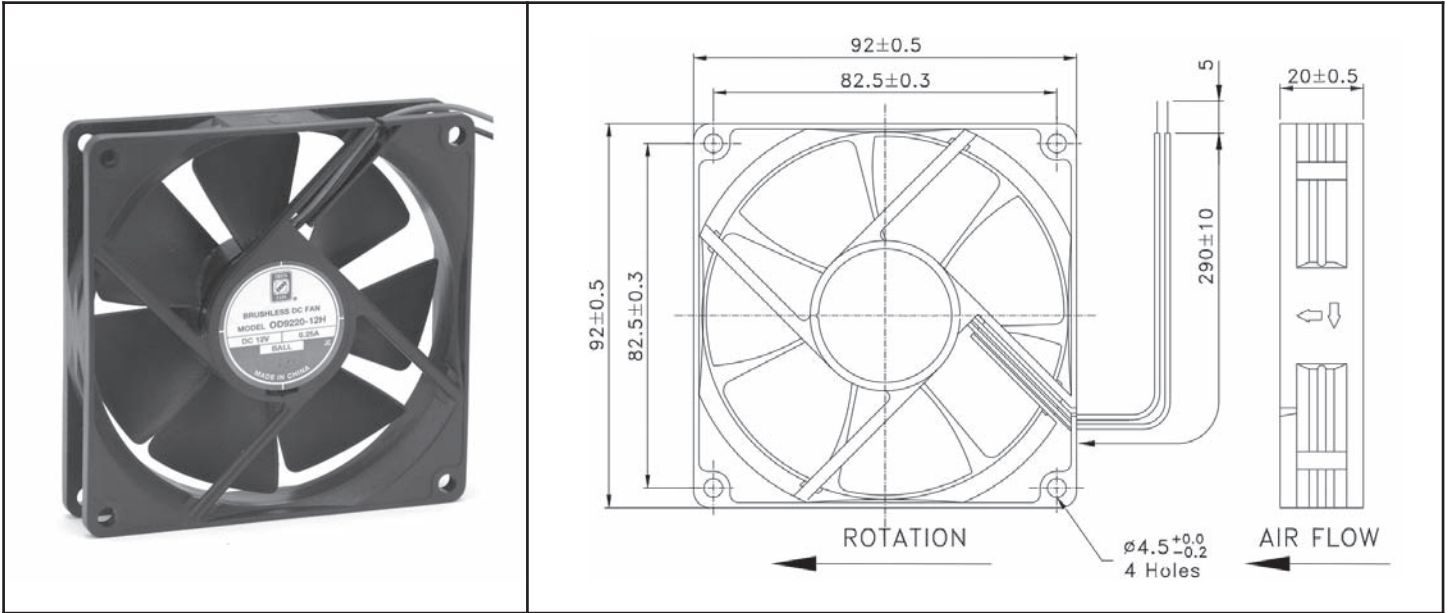


# OD9220 Series



12, 24V DC Fan  
92x20mm (3.6"x 0.79")



Frame & Impeller	PBT, UL94V-O plastic	<b>Available Options:</b>  Tachometer - Open Collector  Locked Rotor Alarm	
Connection	2x Lead wires 24AWG		
Motor	Brushless DC, auto restart, polarity protected		
Bearing System	Dual ball bearing		
Insulation Resistance	10M ohm between leadwire and frame (500VDC)		
Dielectric Strength	1 second at 500 VAC, max leakage - 500 MicroAmp		
Temperature Range	-10C ~ +70C		
Life (L10)	65,000 hours (45C)		

Model Number	Speed (RPM)	Airflow (CFM)	Noise (dB)	Volts DC	Voltage Range	Amps	Max. Static Pressure ("H2O)
OD9220-12H*	2700	32	33	12	8~16	0.25	0.13
OD9220-12M*	2400	28	31	12	8~16	0.16	0.11
OD9220-24H*	2700	32	33	24	12~28	0.14	0.125
OD9220-24M*	2400	28	31	24	12~28	0.12	0.11

\* Indicate "B" to specify Ball bearing or "S" to specify Sleeve bearing