

max. 13.5 m<sup>3</sup>/h

# DC Axial Fans

Series 400 40 x 40 x 20 mm



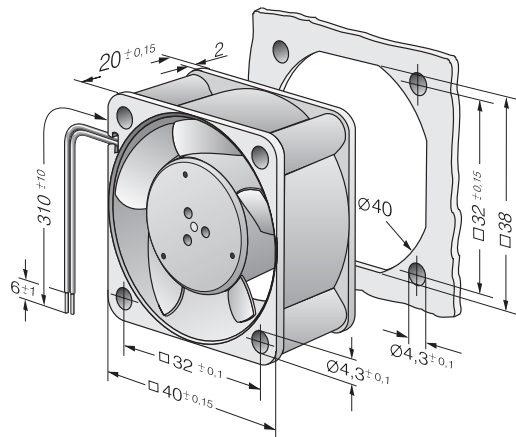
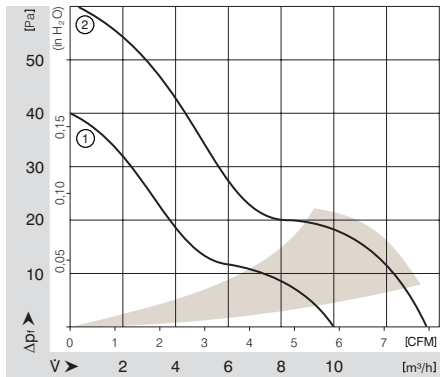
### Highlights:

- Compact fan with low power consumption.
- Some models suitable for use at high ambient temperatures.

### General characteristics:

- Material: fiberglass-reinforced plastic. Impeller PA, housing PBT.
- Fully integrated electronic commutation.
- Protected against reverse polarity and blocking.
- Electrical connection via single leads AWG 28, TR 64. Stripped and tinned ends.
- Blowing over struts. Rotational direction CCW looking at rotor.
- Mass: 27 g.

Nominal Data	Air Flow	Air Flow	Nominal Voltage	Voltage Range	Noise	Sound Power	Sinter-Sleeve Bearings Ball Bearings	Power Input	Nominal Speed	Temperature Range	Service Life L <sub>10</sub> (20 °C) ebm-papst Standard	Service Life (60 °C) ebm-papst Standard	Life expectancy L <sub>10Δ</sub> (40 °C)	Curve	Specials
Type	m <sup>3</sup> /h	CFM	V DC	V DC	dB(A)	Bel	□/■	Watt	min <sup>-1</sup>	°C	Hours	Hours	Hours		
405	10.0	5.9	5	4.5...5.5	18	3.8	□	0.9	6 000	-20...+70	50 000 / 20 000	62 500	1	/2	
412	10.0	5.9	12	10...14	18	3.8	□	0.9	6 000	-20...+70	50 000 / 20 000	62 500	1	/2;/39	
412 H	13.5	7.9	12	10...14	29	4.7	□	1.6	8 100	-20...+60	45 000 / 15 000	47 500	2	/39	
414	10.0	5.9	24	20...28	18	3.8	□	1.0	6 000	-20...+70	50 000 / 20 000	62 500	1	/2	
414 H	13.5	7.9	24	20...26.5	29	4.7	□	1.6	8 100	-20...+60	45 000 / 15 000	47 500	2	/2	
Model with Temperature range up to +85 °C.															
NEW 412-099	10.0	5.9	12	10...14	18	3.8	□	0.8	6 000	-20...+85	50 000 / 20 000	62 500	1		



ebmpapst

