



Bi-Sonic

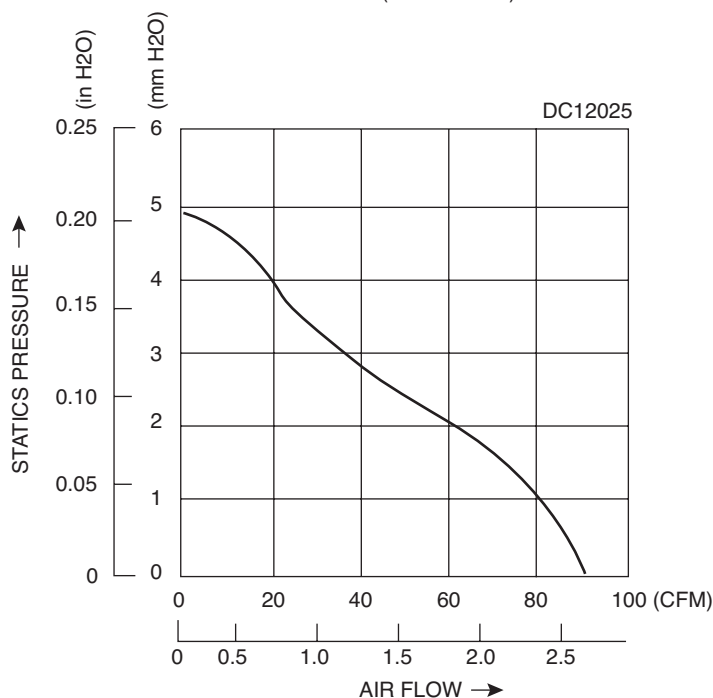
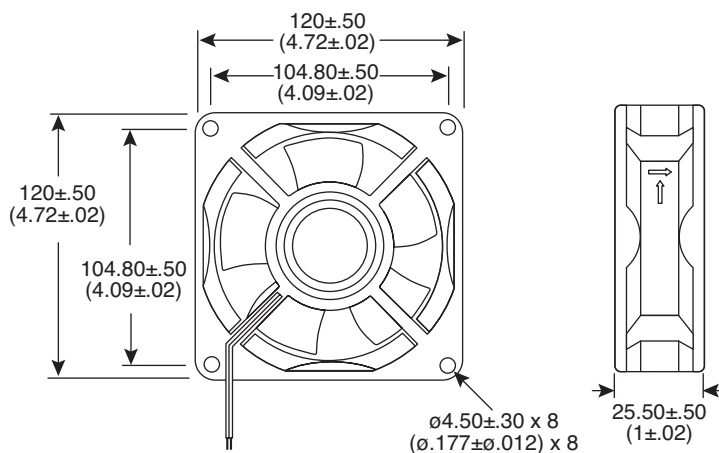
# DC Brushless Fan

433-BP1202524H

Date Last Revised: 7-14-06

BI-200024

## Dimensions: mm (In.)



### Electrical Specifications:

- Insulation resistance: 10M $\Omega$  min. at 500V DC
- Dielectric strength: 5mA max. at 500V AC 60Hz one min.
- Voltage: 24V DC
- Operating voltage range: 20.4V-27.6V
- Rated current: 0.24A
- Rated input power: 5.76W
- Speed: 3000 r.p.m.
- Max. air flow: 88.30 CFM
- Noise: 48 dB-A

### Mechanical Specifications:

- Operating temperature: -30°C to +75°C

### Materials:

- Housing: Glass fiber reinforced plastic
- Impeller: PBT are UL 94V-0 rating
- Bearing: Ball

### Note:

- RoHS Compliant by exemption

Available from Mouser Electronics

1-800-346-6873

www.mouser.com

Specifications are subject to change without notice. No liability or warranty implied by this information. Environmental compliance based on producer documentation.