



Bi-Sonic

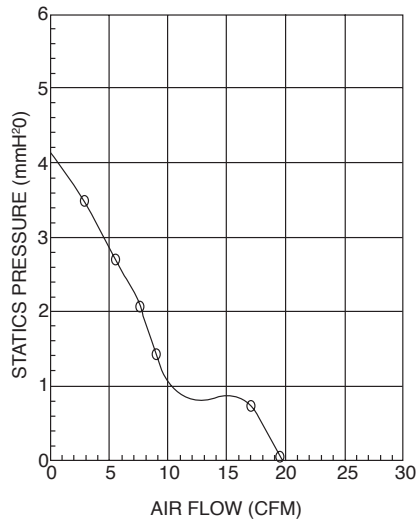
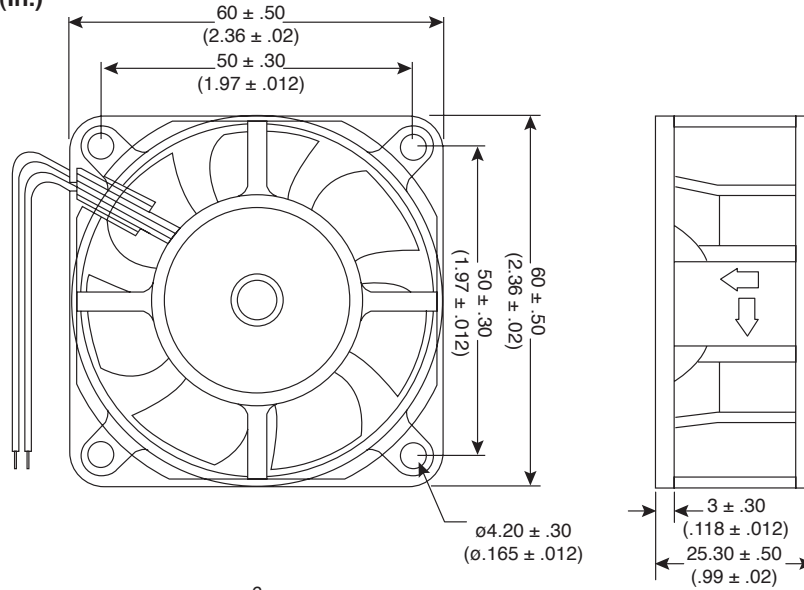
DC Brushless Fan

433-BP602512M

Date Last Revised: 07-14-06

BI-200009

Dimensions: mm (In.)



Electrical Specifications:

- Insulation resistance: 10M Ω min. @ 500 DC (between frame and terminal)
- Dielectric Strength: 5mA max @ 500 VAC 60Hz for 1 min. (between frame and terminal)

- Voltage: 12 VDC
- Operating voltage range: 10.2V - 13.8V
- Rated Current: 0.11A
- Rated Input Power: 1.32W
- Speed: 3200 R.P.M.
- Max. air flow: 16.70 CFM
- Noise: 25 db-A

Mechanical Specifications:

- Operating temperature: -30°C to +75°C

Materials:

- Housing: glass fiber reinforced plastic
- Impeller: PBT are UL 94V-0 rating
- Bearing: Ball

Note:

- RoHS Compliant by exception

Available from Mouser Electronics

1-800-346-6873

www.mouser.com