



Bi-Sonic

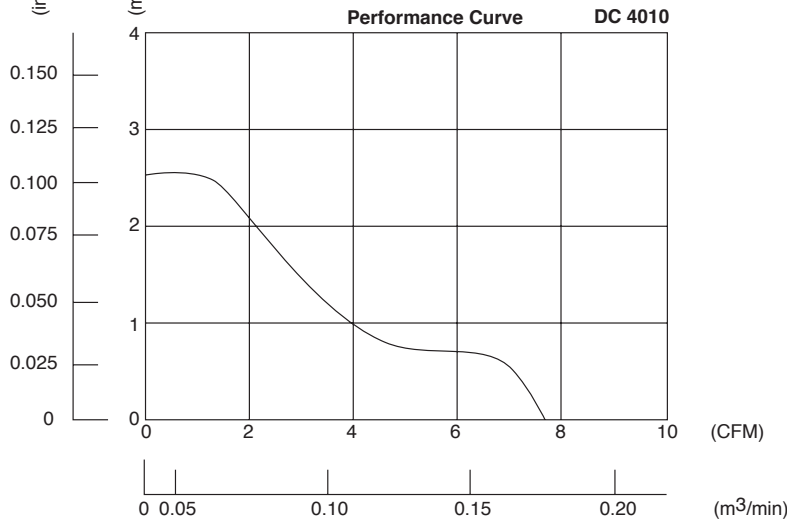
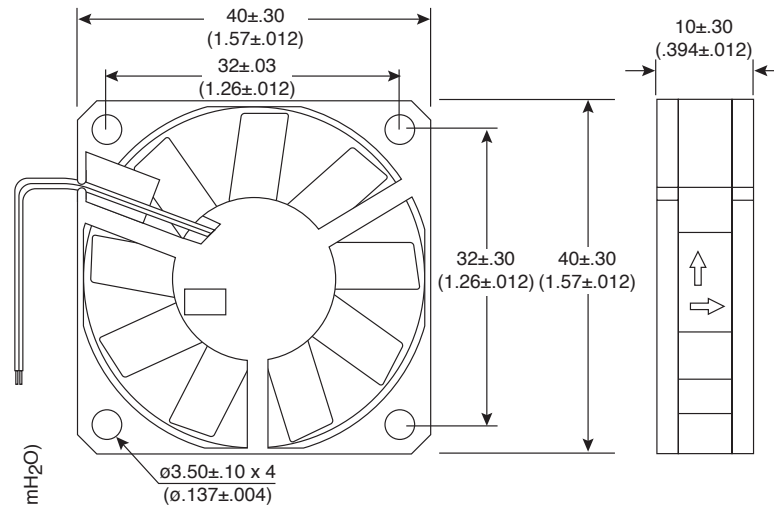
# DC Brushless Fan

433-SP401012H

Date Last Revised: 7-13-06

BI-200013

## Dimensions: mm (In.)



### Electrical Specifications:

- Insulation resistance: 10MΩ min. at 500VDC (between frame and terminal)
- Dielectric strength: 5mA max. at 500VAC 60Hz one minute (between frame and terminal)
- Voltage: 12V
- Operating voltage range: 10.2V-13.8V
- Rated current: 0.13A
- Rated input power: 1.56w
- Speed: 6500 R.P.M.
- Max. air flow: 7.70 CFM
- Noise: 29 dB-A

### Mechanical Specifications:

- Operating temperature: -10°C to +70°C
- Function: frequency generator signal option

### Note

- RoHS Compliant by Exemption.

### Materials:

- Housing: Glass fiber reinforced plastic
- Impeller: PBT are UL 94V-0 rating
- Bearing: Sleeve

Available from Mouser Electronics

1-800-346-6873

www.mouser.com