



Bi-Sonic

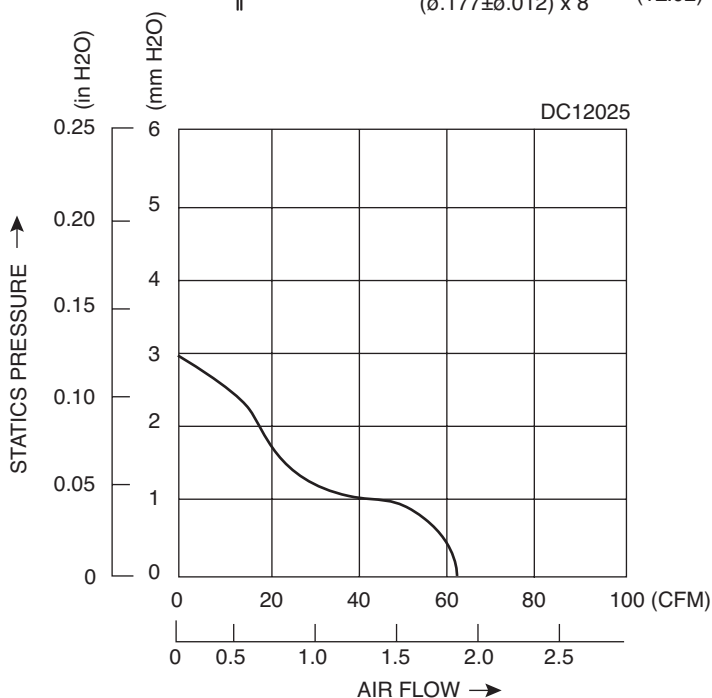
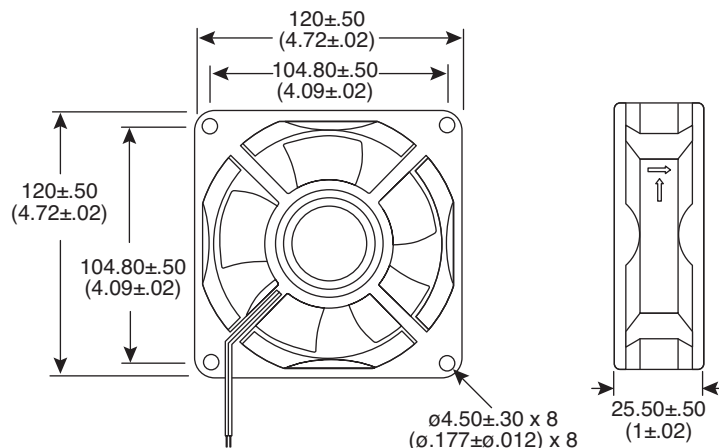
DC Brushless Fan

433-BP1202512L

Date Last Revised: 7/14/06

BI-200026

Dimensions: mm (In.)



Electrical Specifications:

- Insulation resistance: 10MΩ min. at 500V DC
- Dielectric strength: 5mA max. at 500V AC 60Hz one min.
- Voltage: 12V DC
- Operating voltage range: 10.2V-13.8V
- Rated current: .14A
- Rated input power: 1.68W
- Speed: 2000 r.p.m.
- Max. air flow: 61.40 CFM
- Noise: 38 dB-A

Mechanical Specifications:

- Operating temperature: -30°C to +75°C

Materials:

- Housing: Glass fiber reinforced plastic
- Impeller: PBT are UL 94V-0 rating
- Bearing: Ball

Note:

- RoHS Compliant by exemption

Available from Mouser Electronics

1-800-346-6873

www.mouser.com

Specifications are subject to change without notice. No liability or warranty implied by this information. Environmental compliance based on producer documentation.