



Bi-Sonic

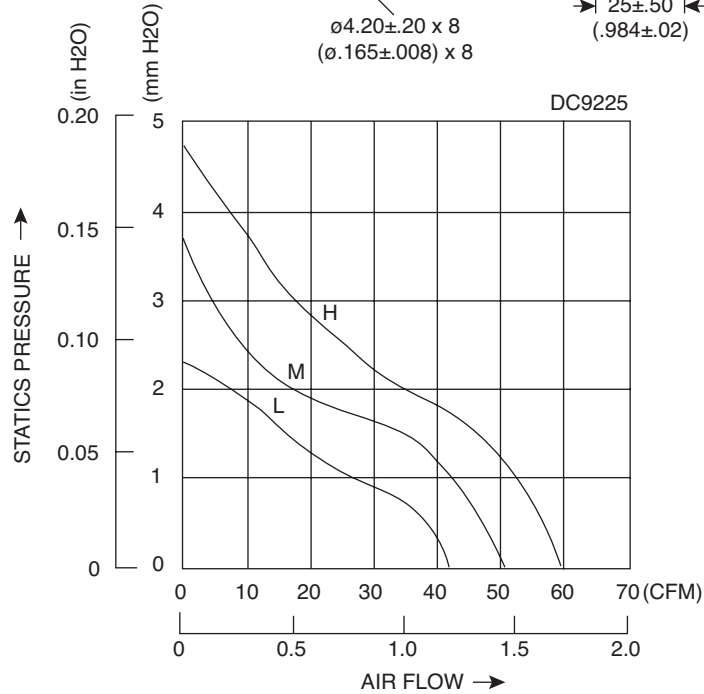
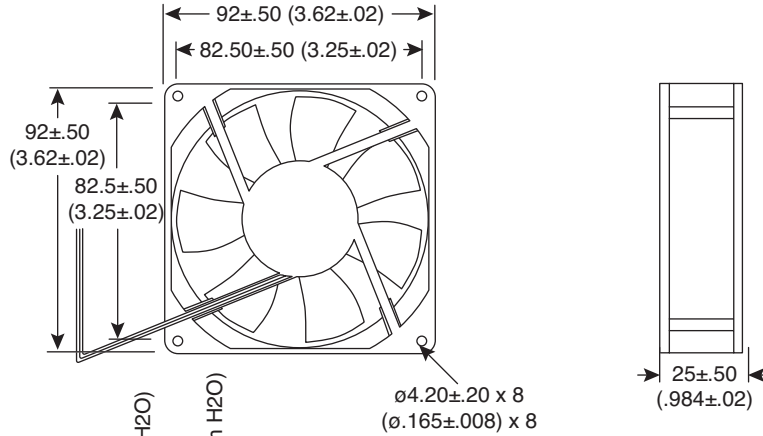
DC Brushless Fan

433-BP922512H

Date Last Revised: 2-15-07

BI-200016

Dimensions: mm (In.)



Electrical Specifications:

- Insulation resistance: 10M Ω min. at 500V DC (between frame and terminal)
- Dielectric strength: 5mA max. at 500V AC 60Hz one min. (between frame and terminal)
- Voltage: 12V DC
- Operating voltage range: 10.2V-13.8V
- Rated current: 0.32A
- Rated input power: 3.84W
- Speed: 3000 r.p.m.
- Max. air flow: 58.70 CFM
- Noise: 38 dB-A

Mechanical Specifications:

- Operating temperature: -30°C to +75°C

Note:

- RoHS compliant by exemption

Available from Mouser Electronics

1-800-346-6873

www.mouser.com