



Bi-Sonic

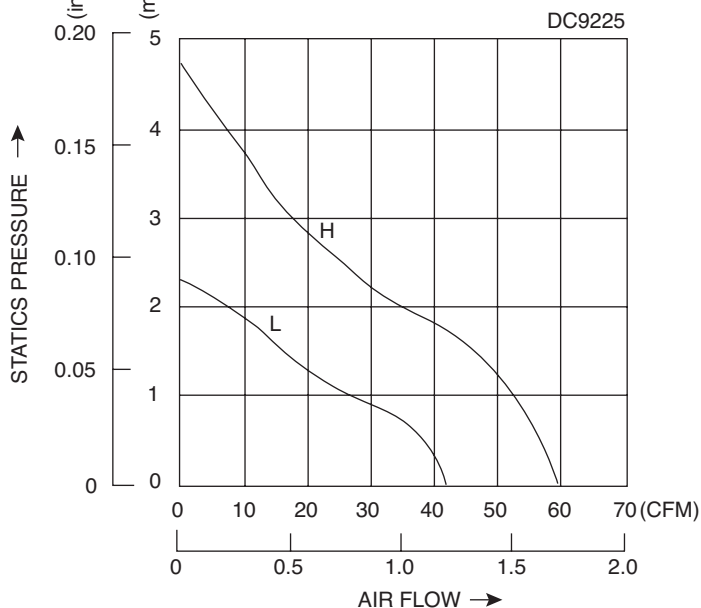
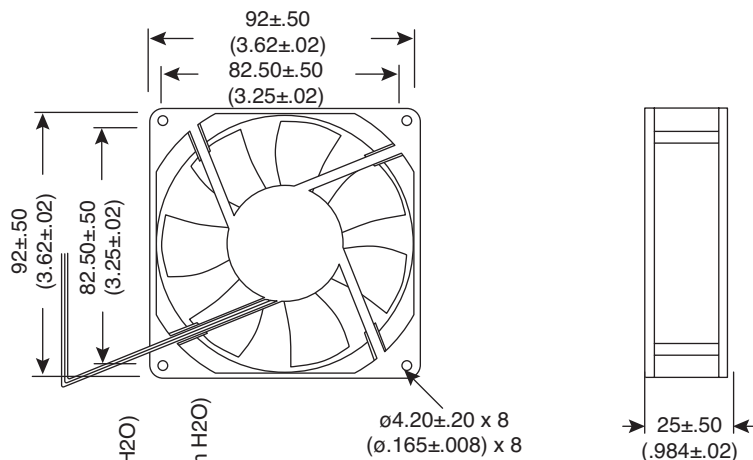
DC Brushless Fan

433-BP922524H

Date Last Revised: 9-12-07

BI-200032

Dimensions: mm (in.)



Mouser Part No.	Bearing	Rated Voltage VDC	Operating Voltage Range V	Rated Current A	Rated Input Power W	Speed R.P.M.	Max. Air Flow		Max. Air Pressure		Noise dB-A
							m ³ /min	CFM	mmH ₂ O	IN H ₂ O	
433-BP922524H	Ball	24	20.4-27.6	0.18	4.32	3000	1.661	58.70	4.30	0.169	38

Electrical Specifications:

- Insulation Resistance: 10MΩ min. at 500V DC (between frame and terminal)
- Dielectric Strength: 5mA max. at 500 VAC 60Hz one min. (between frame and terminal)

Mechanical Specifications:

- Operating Temperature: -30°C to +75°C

Note:

- RoHS Compliant by Exemption

Materials:

- Housing: Glass fiber reinforced plastic
- Impeller: PBT are UL 94V-0 rating
- Bearing: Ball

Available from **Mouser Electronics**

1-800-346-6873

www.mouser.com

Specifications are subject to change without notice. No liability or warranty implied by this information. Environmental compliance based on producer documentation.