



Bi-Sonic

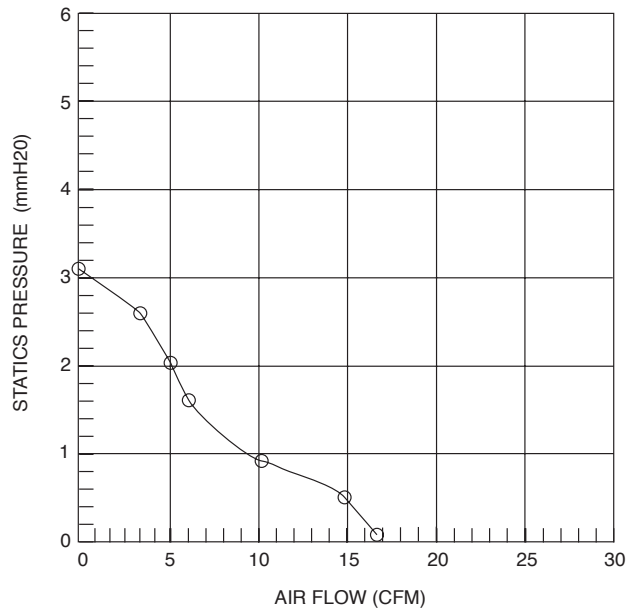
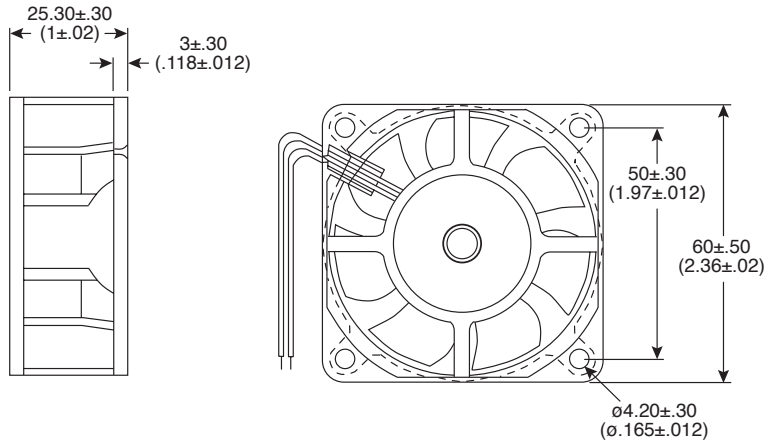
DC Brushless Fan

433-BP602524M

Date Last Revised: 7-13-06

BI-200015

Dimensions: mm (In.)



Electrical Specifications:

- Insulation resistance: 10MΩ min. at 500V DC (between frame and terminal)
- Dielectric strength: 5mA max. at 500V AC 60Hz one min. (between frame and terminal)
- Voltage: 24V DC
- Operating voltage range: 20.4V-27.6V
- Rated current: .10A
- Rated input power: 2.40W
- Speed: 3200 r.p.m.
- Max. air flow: 16.70 CFM
- Noise: 25 dB-A

Mechanical Specifications:

- Operating temperature: -30°C to +75°C

Note

- RoHS Compliant by Exemption.

Materials:

- Housing: Glass fiber reinforced plastic
- Impeller: PBT are UL 94V-0 rating
- Bearing: Ball

Available from Mouser Electronics

1-800-346-6873

www.mouser.com