



Bi-Sonic

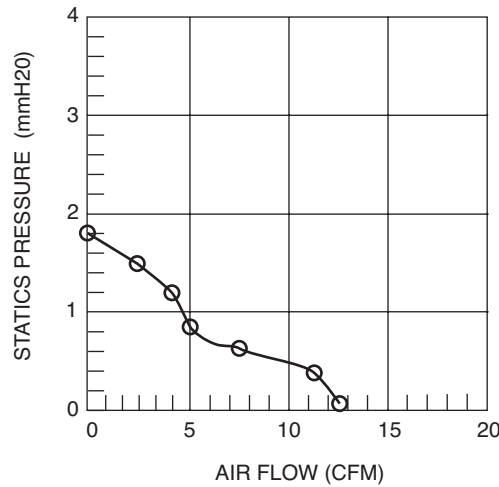
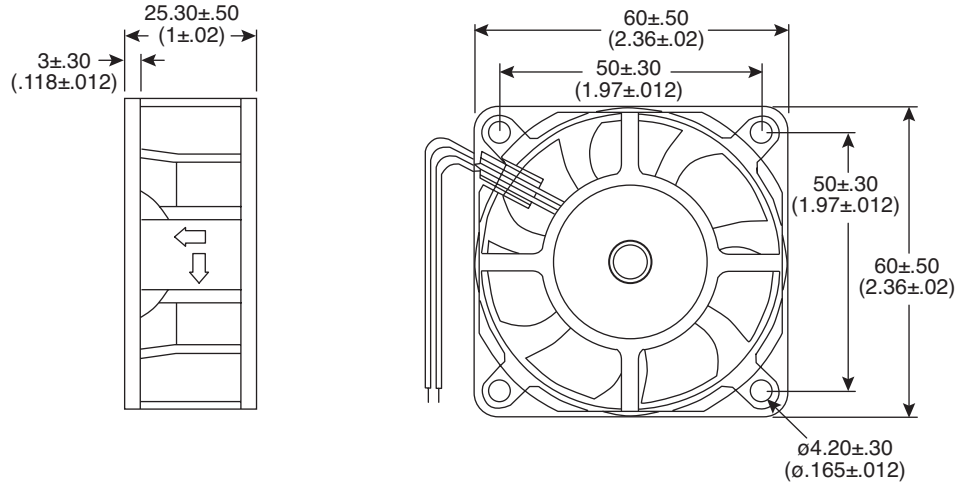
DC Brushless Fan

433-BP602524L

Date Last Revised: 7-14-06

BI-200020

Dimensions: mm (In.)



Electrical Specifications:

- Insulation resistance: 10M Ω min. at 500V DC (between frame and terminal)
- Dielectric strength: 5mA max. at 500V AC 60Hz one min. (between frame and terminal)
- Voltage: 24V DC
- Operating voltage range: 20.4-27.6V
- Rated current: 0.08A
- Rated input power: 1.92W
- Speed: 2600 r.p.m.
- Noise: 23 dB-A

Mechanical Specifications:

- Operating temperature: -30°C to +75°C

Materials:

- Housing: Glass fiber reinforced plastic
- Impeller: PBT are UL 94V-0 rating
- Bearing: Ball

Note:

- RoHS Compliant by exemption

Available from Mouser Electronics

1-800-346-6873

www.mouser.com

Specifications are subject to change without notice. No liability or warranty implied by this information. Environmental compliance based on producer documentation.