



Bi-Sonic

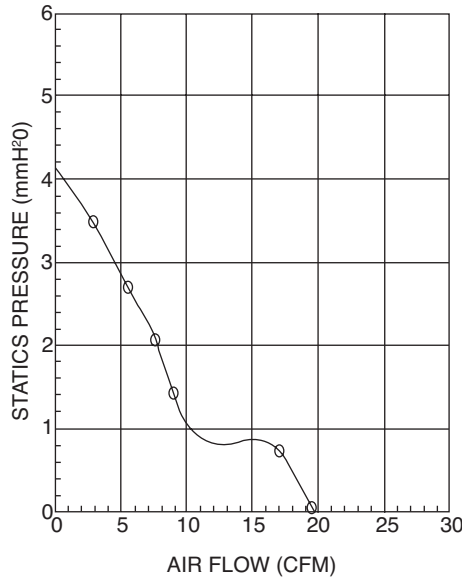
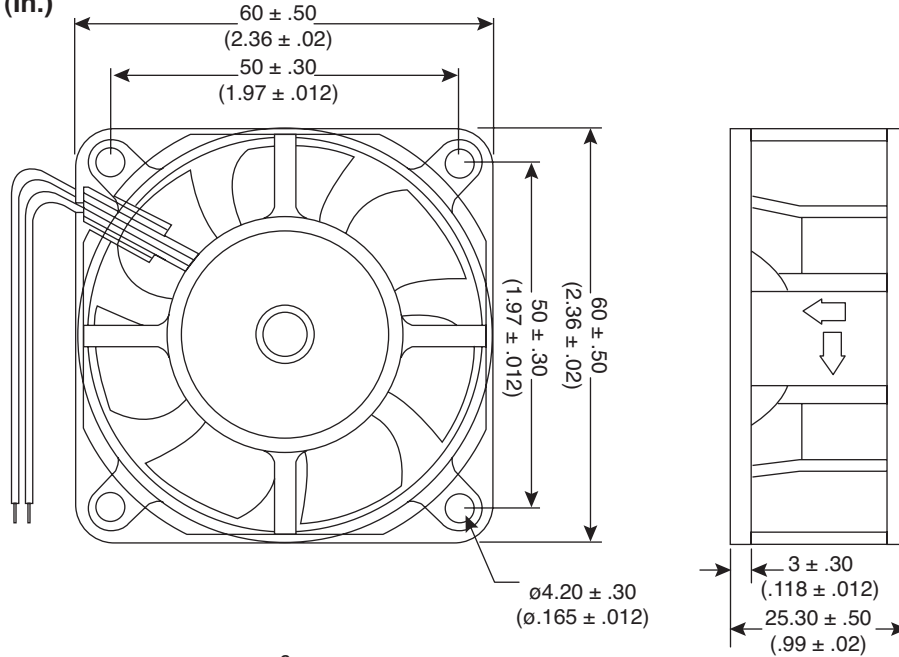
DC Brushless Fan

433-BP602512H

Date Last Revised: 1-27-06

BI-200022

Dimensions: mm (In.)



Electrical Specifications:

- Rated voltage: 12V
- Operation voltage: 10.2~13.8V
- Input current: 0.13A max.
- Input power: 1.56w max.
- Rotation speed: $3800 \pm 10\%$ RPM
- Acoustical noise: 30 ± 2 dB(A)
- Max air-flow: 19.50 CFM $\pm 10\%$
- Insulation resistance: 10M Ω min. at 500V DC
- Dielectric strength: 5mA max. at 500V AC 60 Hz for 1 min.
- Life expectancy: 50,000 hours continuous

Mechanical Specifications:

- Storage temperature: -40 to +75°C
- Operating temperature: -30 to +50°C

Note:

- RoHS compliant by exemption

Materials:

- Frame: Plastic PBT UL are 94V-0 Rating + fiber glass
- Fan blade: Plastic PBT UL are 94V-0 Rating + fiber glass
- Bearing: Ball
- Lead Wire: 1007 AWG# 24

+	Positive	Red
-	Negative	Blue



Available from Mouser Electronics

1-800-346-6873

www.mouser.com