



**Bi-Sonic**

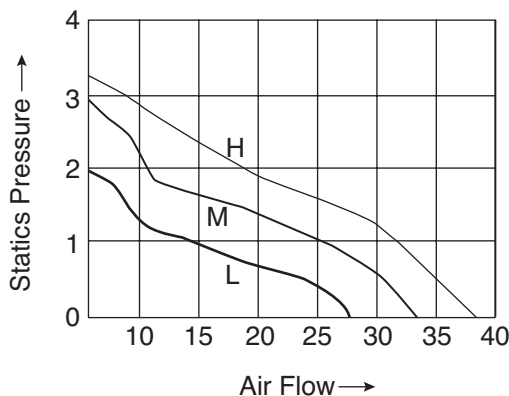
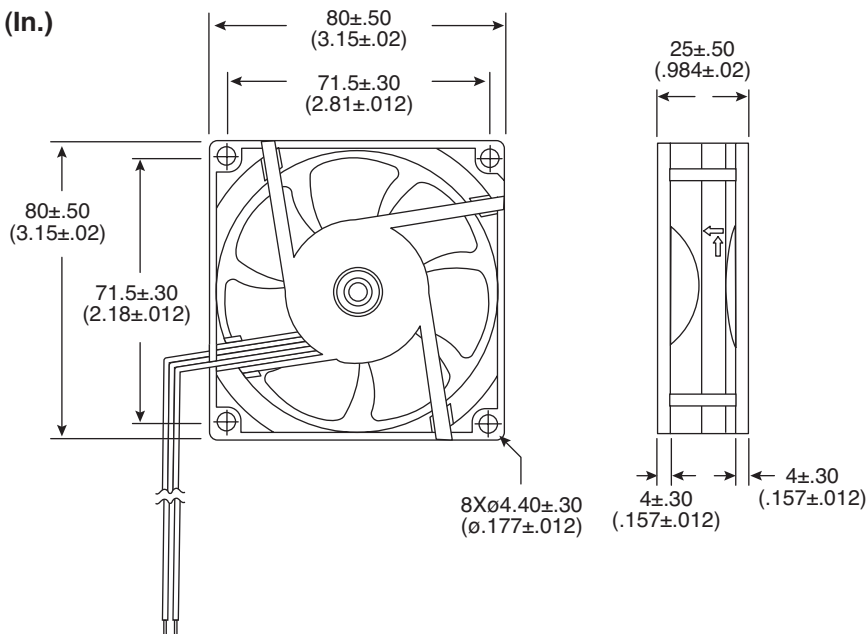
# DC Brushless Fans

433-BP802512L, 433-BP802512M, 433-SP802512M, 433-BP802512H

Date Last Revised: 9-8-06

BI-200029

Dimensions: mm (In.)



Mouser Stock No.	Bearing	Rated Voltage VDC	Operating Voltage Range V	Rated Current A	Rated Input Power W	Speed R.P.M.	Max. Air Flow		Max. Air Pressure		Noise dB-A
							m3min	CFM	mmH2O	IN H2O	
433-BP802512L	Ball	12	10.2-13.8	0.12	1.44	2200	0.787	27.80	2.45	0.096	25
433-BP802512M	Ball	12	10.2-13.8	0.16	1.92	2700	0.934	33	3.00	0.118	29
433-SP802512M	Ball	12	10.2-13.8	0.16	1.92	2700	0.934	33	3.00	0.118	29
433-BP802512H	Ball	12	10.2-13.8	0.20	2.40	3200	1.077	38	3.20	0.126	34

### Electrical Specifications:

- Insulation resistance: 10MΩ min. at 500 VDC (between frame and (+) lead wire)
- Dielectric strength: 5mA max. at 500 VAC 60Hz one min. (between frame and (+) lead wire)

### Mechanical Specifications:

- Operation temperature: -10°C to +70°C

### Note:

- RoHS compliant by Exemption



Available from **Mouser Electronics**

1-800-346-6873

www.mouser.com

Specifications are subject to change without notice. No liability or warranty implied by this information. Environmental compliance based on producer documentation.