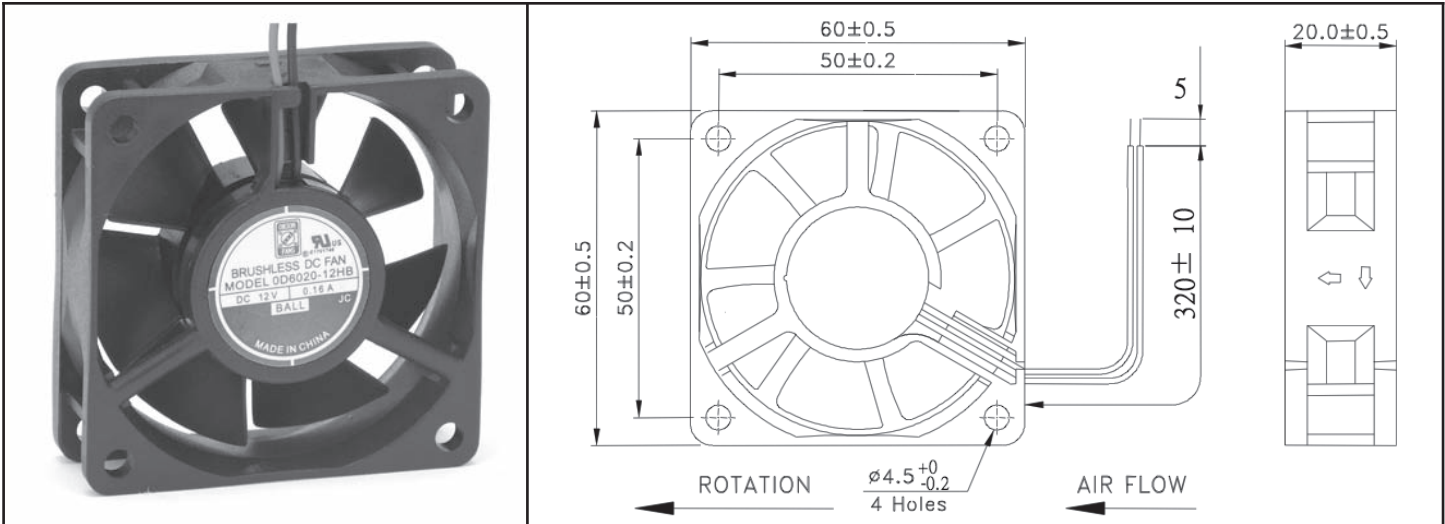


OD6020 Series



DC Fan - 12, 24V
60x20mm (2.36"x .79")



Frame & Impeller	PBT, UL94V-O plastic	Available Options: Tachometer Alarm Other frame styles available 5V available on request <u>Life Expectancy (L10)</u> Ball Bearing 60,000 hours (L10 at 40C) Sleeve Bearing 30,000 hours (L10 at 40C) <u>Operating Temperature</u> Ball Bearing -20C ~ +80C Sleeve Bearing -10C ~ +50C	
Connection	2x Lead wires		
Motor	Brushless DC, auto restart, impedance and polarity protected		
Bearing System	Dual Ball or Sleeve		
Insulation Resistance	10M ohm between leadwire and frame (500VDC)		
Dielectric Strength	1 second at 500 VAC, max leakage - 500 MicroAmp		
Storage Temperature	-30C ~ +90C		

Model Number	Speed (RPM)	Airflow (CFM)	Noise (dB)	Volts DC	Voltage Range	Amps	Max. Static Pressure (\"H2O)
OD6020-12H*	4500	18	30	12	8~16	.16	.14
OD6020-12M*	3900	15	26	12	8~16	.13	.11
OD6020-12L*	3500	13	22	12	8~16	.08	.09
OD6020-24H*	4500	18	30	24	12~32	.09	.14
OD6020-24M*	3900	15	26	24	12~32	.06	.11
OD6020-24L*	3500	13	22	24	12~32	.04	.09

* Indicate "B" to specify Ball bearing or "S" to specify Sleeve bearing