



Bi-Sonic

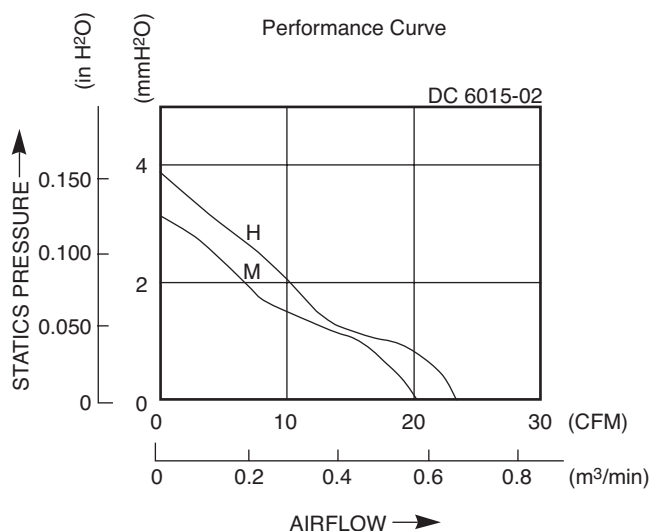
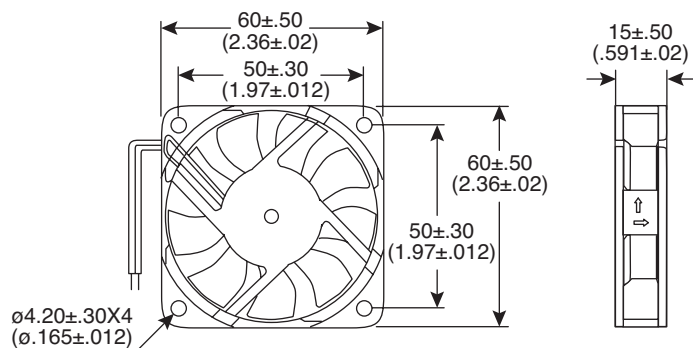
DC Brushless Fans

433-BP601512M, 433-BP601512H

Date Last Revised: 7-12-06

BI-200033

Dimensions: mm (In.)



Mouser Stock No.	Bearing	Rated Voltage VDC	Operating Voltage Range V	Rated Current A	Rated Input Power W	Speed R.P.M.	Max. Air Flow		Max. Air Pressure		Noise dB-A
							m3min	CFM	mmH2O	IN H2O	
433-BP601512M	Ball	12	10.2-13.8	0.16	1.92	3800	0.57	20.22	3.10	.122	30.3
433-BP601512H	Ball	12	10.2-13.8	0.18	2.16	4500	0.63	23.40	3.90	.153	35.3

Electrical Specifications:

- Insulation resistance: 10MΩ min. at 500V DC (between frame and terminal)
- Dielectric strength: 5mA max. at 500V AC 60Hz one min. (between frame and terminal)

Mechanical Specifications:

- Operating temperature: -30°C to +75°C
- Function: Frequency generator signal option

Materials:

- Housing: Glass fiber reinforced plastic
- Impeller: PBT are UL 94V-0 rating

Note:

- RoHS compliant by exemption

Available from Mouser Electronics

1-800-346-6873

www.mouser.com

Specifications are subject to change without notice. No liability or warranty implied by this information. Environmental compliance based on producer documentation.