



Bi-Sonic

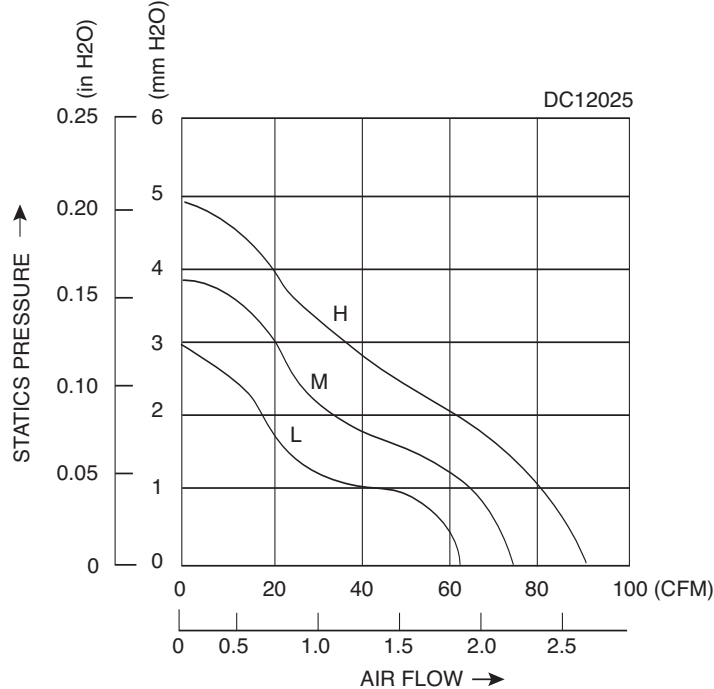
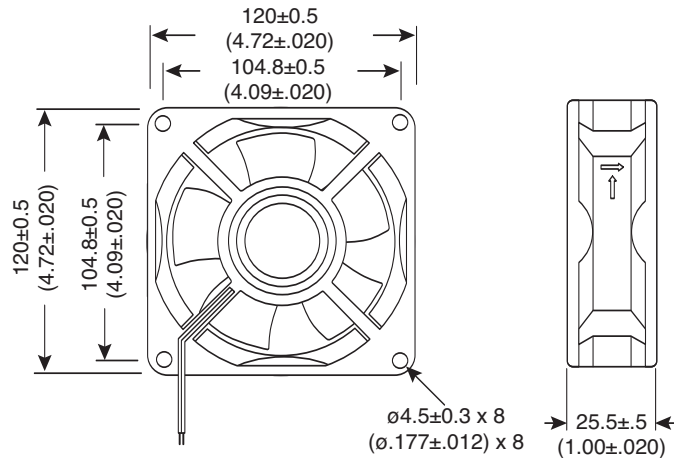
DC Brushless Fan

433-BP1202512H

Date Last Revised: 4-6-05

BI-200025

Dimensions: mm (In.)



Electrical Specifications:

- Insulation resistance: 10M Ω min. at 500V DC
- Dielectric strength: 5mA max. at 500V AC 60Hz one min.
- Voltage: 12V DC
- Operating voltage range: 10.2V-13.8V
- Rated current: 0.36A
- Rated input power: 4.32W
- Speed: 3000 r.p.m.
- Max. air flow: 88.30 CFM
- Noise: 50 dB-A

Mechanical Specifications:

- Operating temperature: -30°C to +75°C

Materials:

- Housing: Glass fiber reinforced plastic
- Impeller: PBT are UL 94V-0 rating
- Bearing: Ball

Available from Mouser Electronics

1-800-346-6873

www.mouser.com

Specifications are subject to change without notice. No liability or warranty implied by this information. Environmental compliance based on producer documentation.