



Bi-Sonic

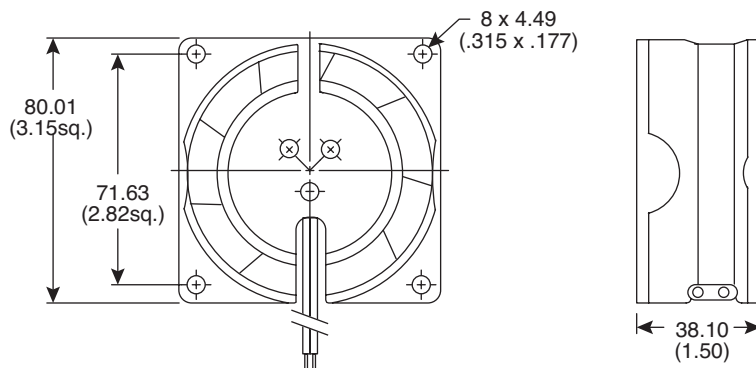
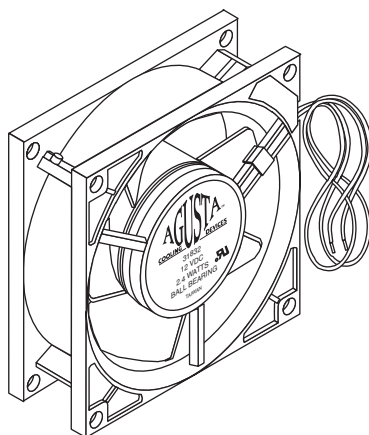
AC Tubeaxial Fans

433-3E-115B-20, 433-3E-115B-25,
433-3E-115B, 433-3E-115S, 433-3E-230B

Date Last Revised: 2-15-07

BI-200034

Dimensions: mm (In.)



| Mouser Stock No. | Current (mA) | | Power (W) | Noise dB(A) | Air Flow CFM | Speed PRM | Life (hrs) | Bearing |
|------------------|--------------|---------|-----------|-------------|--------------|-----------|------------|---------|
| | Running | Lock | | | | | | |
| 433-3E-115B-20 | 120/110 | 150/140 | 10/9 | 23/26 | 18/21 | 1750/2000 | 50,000 | Ball |
| 433-3E-115B-25 | 130/120 | 160/150 | 10/9 | 27/31 | 22/26 | 2150/2500 | 50,000 | Ball |
| 433-3E-115B | 140/130 | 190/180 | 11/10 | 33/38 | 28/32 | 2700/3100 | 50,000 | Ball |
| 433-3E-115S | 140/130 | 190/180 | 11/10 | 33/38 | 28/32 | 2700/3100 | 20,000 | Sleeve |
| 433-3E-230B | 85/75 | - | 13/12 | 31/34 | 26/32 | 2700/3100 | 50,000 | Ball |

Electrical Specifications:

- Voltage: 115VAC 50/60Hz
(433-3E-230B = 230VAC 50/60 Hz)

Mechanical Specifications:

- Operating temperature: -10°~60°C(sleeve bearing),
-30°~75°C(ball bearing)
- Weight: 420g

Note:

- RoHS compliant by exemption

Available from Mouser Electronics

1-800-346-6873

www.mouser.com