



Bi-Sonic

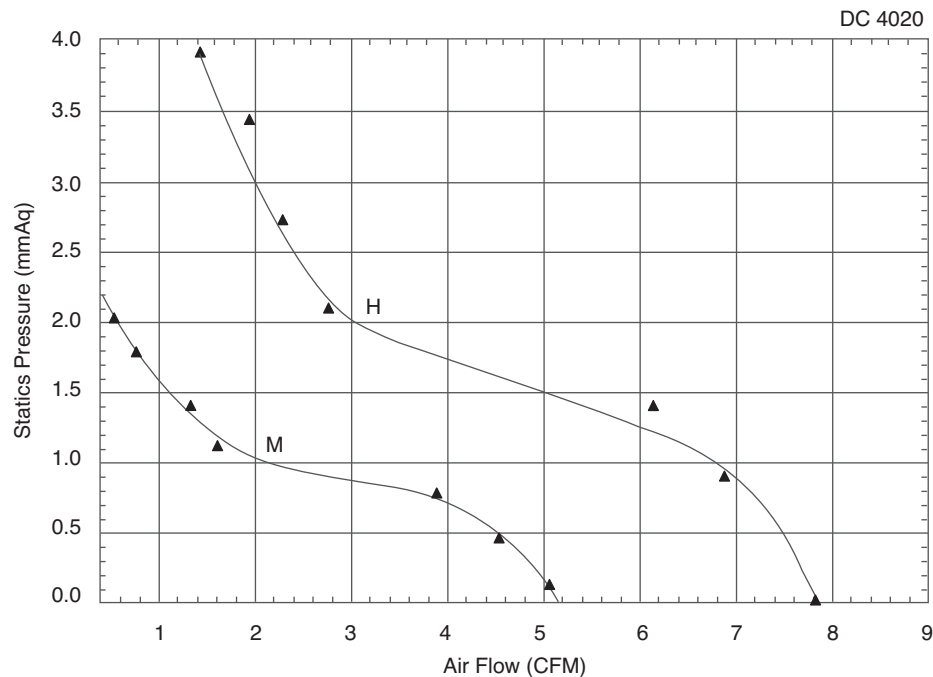
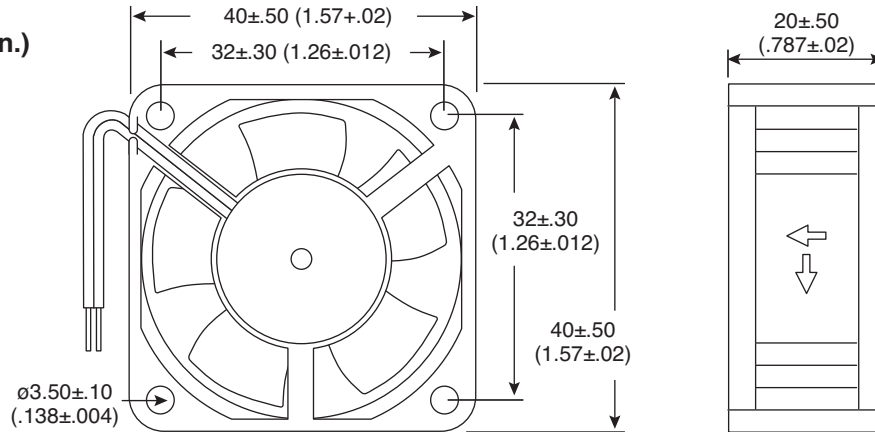
DC Brushless Fans

433-BP402012M, 433-SP402012M, 433-BP402012H,
433-SP402012H, 433-BP402024H, 433-SP402024H

Date Last Revised: 2/4/09

BI-200036

Dimensions: mm (in.)



Mouser Stock No.	Bearing	Rated Voltage VDC	Operating Voltage Range V	Input Current A	Rated Input Power W	Speed R.P.M.	Max. Air Flow (CFM)	Max. Air Pressure mm(H ₂ O)	Noise dB-A
433-BP402012M	Ball	12	10.2-13.8	0.10	1.2	5000	5.00	2.0	23.0
433-SP402012M	Sleeve	12	10.2-13.8	0.10	1.2	5000	5.00	2.0	23.0
433-BP402012H	Ball	12	10.2-13.8	0.16	1.92	7000	7.77	3.8	31.0
433-SP402012H	Sleeve	12	10.2-13.8	0.16	1.92	7000	7.77	3.8	31.0
433-BP402024H	Ball	24	20.4-27.6	0.09	2.16	7000	7.77	3.8	31.0
433-SP402024H	Sleeve	24	20.4-27.6	0.09	2.16	7000	7.77	3.8	31.0

Electrical Specifications:

- Insulation resistance: 10MΩ min. @ 500VDC (between frame and terminal)
- Dielectric strength: 5mA max. @ 500VAC 60Hz 1 Minute (between frame and terminal)

Mechanical Specifications:

- Operating temperature: -10°C to +70°C

Note:

- RoHS Compliant by Exemption

Available from **Mouser Electronics**

1-800-346-6873

www.mouser.com

Specifications are subject to change without notice. No liability or warranty implied by this information. Environmental compliance based on producer documentation.