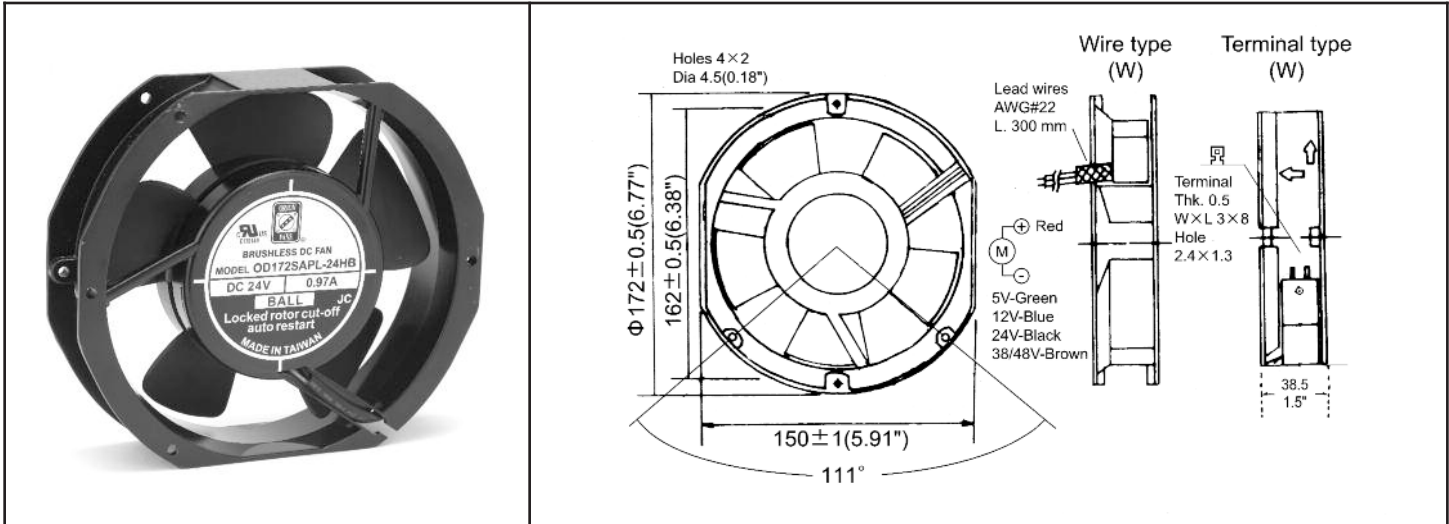


# OD172SAPL Series



DC Fan - 12, 24, 48V  
172x150x38mm (6.7"x 5.9"x 1.5")



Frame	Diecast Aluminum	<b>Available Options:</b> Tachometer (5VTTL) Alarm (5VTTL) Thermistor Speed Control PWM Speed Control Constant Speed  Life Expectancy (L10) Ball - 60,000 hrs (45C)  Operating Temperature Ball: -20C ~ 80C		
Impeller	PBT, UL94V-O plastic			
Connection	2x Lead wires, AWG22 or terminals			
Motor	Brushless DC, auto restart, impedance and polarity protected			
Bearing System	Dual ball bearing			
Insulation Resistance	10M ohm between leadwire and frame (500VDC)			
Dielectric Strength	1 second at 500 VAC, max leakage - 500 MicroAmp			
Storage Temperature	-30C ~ +90C			
				m0

Model Number	Speed (RPM)	Airflow (CFM)	Noise (dB)	Volts DC	Voltage Range	Amps	Max. Static Pressure (H2O)
OD172SAPL-12H *	4000	225	55	12	8~14	1.99	0.73
OD172SAPL-12M *	3300	190	45	12	8~14	1.10	0.51
OD172SAPL-12L *	2000	120	40	12	8~14	0.45	0.35
OD172SAPL-24H *	4000	225	55	24	15~28	0.97	0.73
OD172SAPL-24M *	3300	190	45	24	15~28	0.52	0.51
OD172SAPL-24L *	2000	120	40	24	15~28	0.20	0.35
OD172SAPL-48H *	4000	225	55	48	28~63	0.48	0.73
OD172SAPL-48M *	3300	190	45	48	28~63	0.30	0.51
OD172SAPL-48L *	2000	120	40	48	28~63	0.12	0.35

\* Indicate "B" for wire leads or "TB" for Terminals