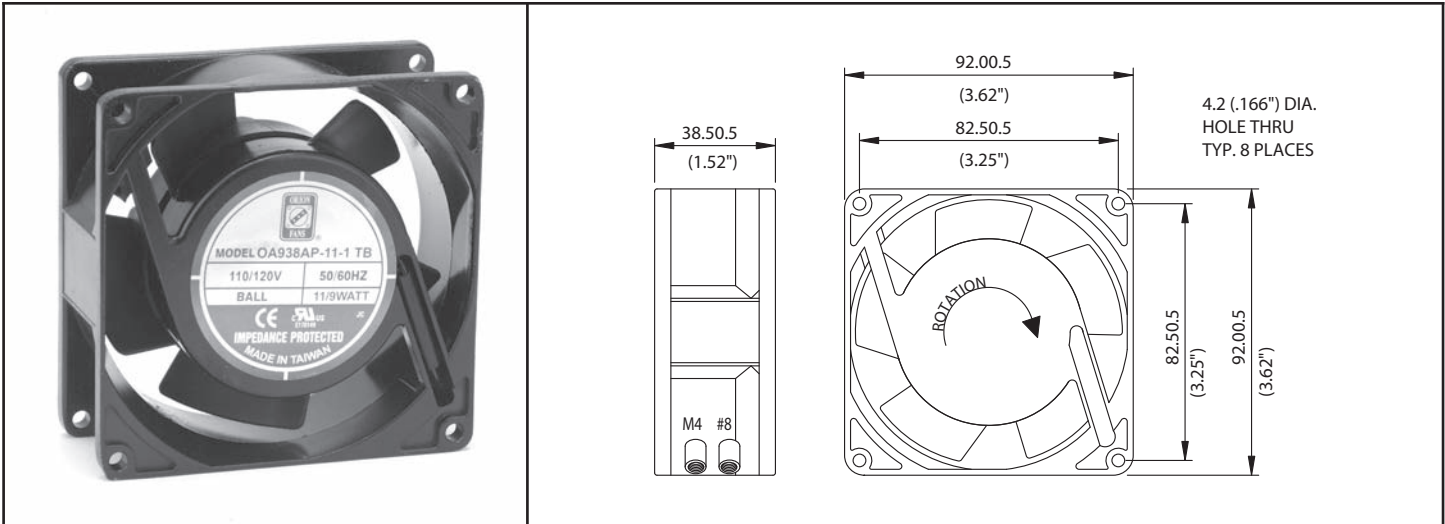


OA938 Series



AC Fan - 115V, 230V, Dual Voltage
92 x 38mm(3.62" x 1.5")



| | | | |
|-----------------------|--|--|--|
| Frame | Diecast Aluminum | <u>Operating Temperature</u> Ball Bearing -20C ~ +80C Sleeve Bearing -10C ~ +50C | |
| Impeller | PBT, UL94V-O plastic | | |
| Connection | 2x Lead Wires 22 AWG or terminals | <u>Life Expectancy</u> Ball Bearing 60,000 hours (L10 at 40C) Sleeve Bearing 30,000 hours (L10 at 40C) | |
| Motor | Shaded pole, impedance protected | | |
| Bearing System | Dual ball or Sleeve | <u>Dual Voltage</u> Connection via 4x leads. Fans can be configured for 115V or 230V operation. | |
| Insulation Resistance | >100M ohm between lead-wire and frame (500VDC) | | |
| Dielectric Strength | 1 min at 1500 VAC, 50/60Hz | m0 | |

| Model Number | Speed (RPM) | Airflow (CFM) | Noise (dB) | Volts AC | Voltage Range | Watts | Max. Static Pressure ("H2O) |
|--------------------|-------------|---------------|------------|----------|---------------|-------|-----------------------------|
| OA938AP-11-1* | 3100 | 50 | 32 | 115 | 80~130 | 9 | .22 |
| OA938AP-11-2* | 2400 | 39 | 23 | 115 | 80~130 | 5 | .17 |
| OA938AP-11-3* | 1800 | 26 | 19 | 115 | 80~130 | 3 | .10 |
| OA938AP-22-1* | 3100 | 50 | 32 | 230 | 160~260 | 9 | .22 |
| OA938AP-22-2* | 2400 | 39 | 23 | 230 | 160~260 | 5 | .17 |
| OA938AP-22-3* | 1800 | 26 | 19 | 230 | 160~260 | 3 | .10 |
| OA938AP-11/22-1W** | 3100 | 50 | 32 | 115/230 | 80~260 | 9 | .22 |
| OA938AP-11/22-2W** | 2400 | 39 | 23 | 115/230 | 80~260 | 5 | .17 |
| OA938AP-11/22-3W** | 1800 | 26 | 19 | 115/230 | 80~260 | 3 | .10 |

* Indicate "TB" (Terminal Ball Bearing), "WB" (12" Wire Leads, Ball Bearing), "TS" (Terminal, Sleeve Bearing), "WS" (12" Wire Leads, Sleeve Bearing)
 ** Indicate "B" (Ball Bearing) or "S" (Sleeve Bearing)