



Bi-Sonic

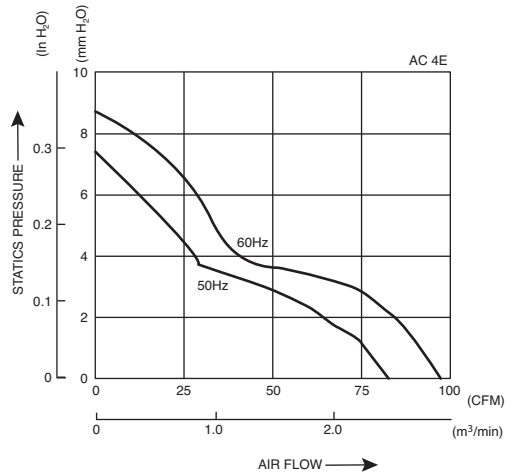
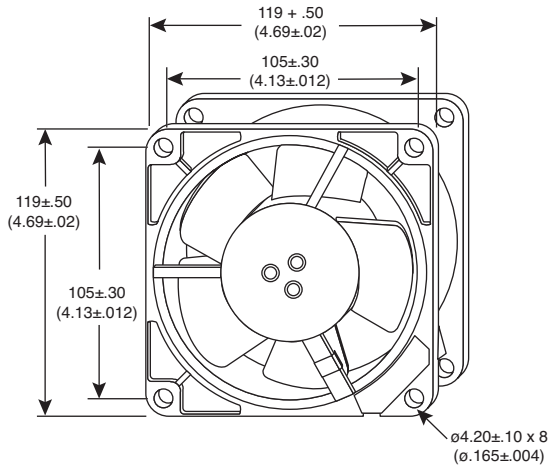
AC Tubeaxial Fans

433-4E-230B, 433-4E-230S, 433-4E-230B-25

Date Last Revised: 06-02-08

BI-200031

Dimensions: mm (in.)



Mouser Stock No.	Bearing	Current (mA) Running Lock	Power (W)	Noise dB(A)	Air Flow CFM	Speed PRM
433-4E-230B	Ball	140/130	22/21	41/45	82/96	2650/3000
433-4E-230S	Sleeve	140/130	22/21	41/45	82/96	2650/3000
433-4E-230B-25	Ball	130/120	21/20	38/42	70/78	2250/2500

Electrical Specifications:

- Voltage: 230VAC
- Frequency: 50/60Hz

Note:

- RoHS Compliant by exemption

Mechanical Specifications:

- Operating temperature: sleeve bearing, -10°C~+70°C; ball bearing, -30°C~+75°C
- Weight: 600g
- Termination: Fastons

Available from **Mouser Electronics**

1-800-346-6873

www.mouser.com

Specifications are subject to change without notice. No liability or warranty implied by this information. Environmental compliance based on producer documentation.