



Bi-Sonic

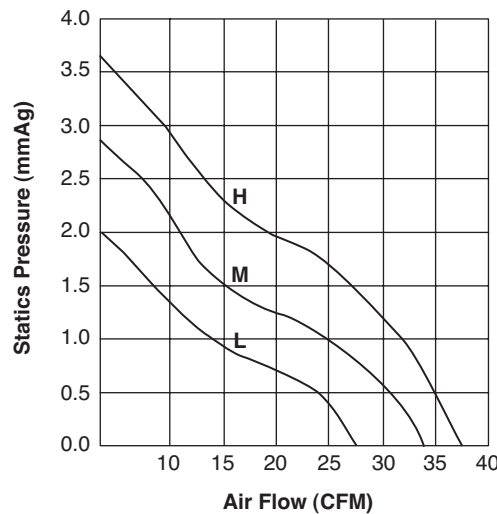
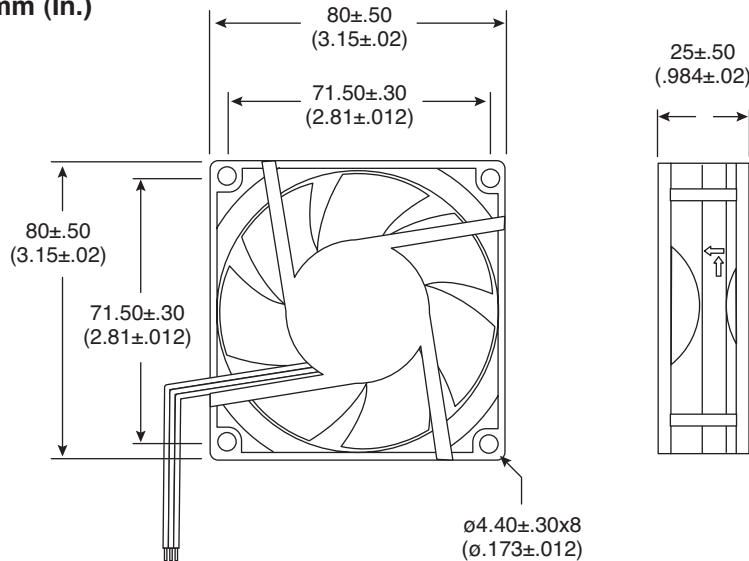
DC Brushless Fans

433-BP802524L, 433-BP802524M, 433-BP802524H

Date Last Revised: 9-8-06

BI-200030

Dimensions: mm (In.)



Mouser Stock No.	Bearing	Rated Voltage VDC	Operating Voltage Range V	Rated Current A	Rated Input Power W	Speed R.P.M.	Max. Air Flow		Max. Air Pressure		Noise dB-A
							m3min	CFM	mmH2O	IN H2O	
433-BP802524L	Ball	24	20.4-27.6	0.09	2.16	2200	0.787	27.8	2.45	0.096	25
433-BP802524M	Ball	24	20.4-27.6	0.11	2.64	2700	0.934	33	3.00	0.118	29
433-BP802524H	Ball	24	20.4-27.6	0.13	3.12	3200	1.077	38	3.20	0.126	34

Electrical Specifications:

- Insulation resistance: 10MΩ min. at 500V DC (between frame and terminal)
- Dielectric strength: 5mA max. at 500V AC 60Hz one min. (between frame and terminal)

Note:

- RoHS Compliant by Exemption



Mechanical Specifications:

- Operating temperature: -10°C to +70°C

Available from **Mouser Electronics**

1-800-346-6873

www.mouser.com

Specifications are subject to change without notice. No liability or warranty implied by this information. Environmental compliance based on producer documentation.