



Bi-Sonic

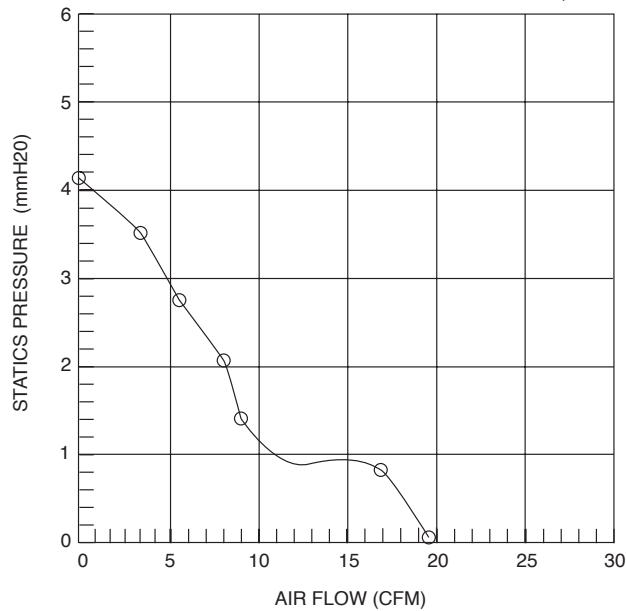
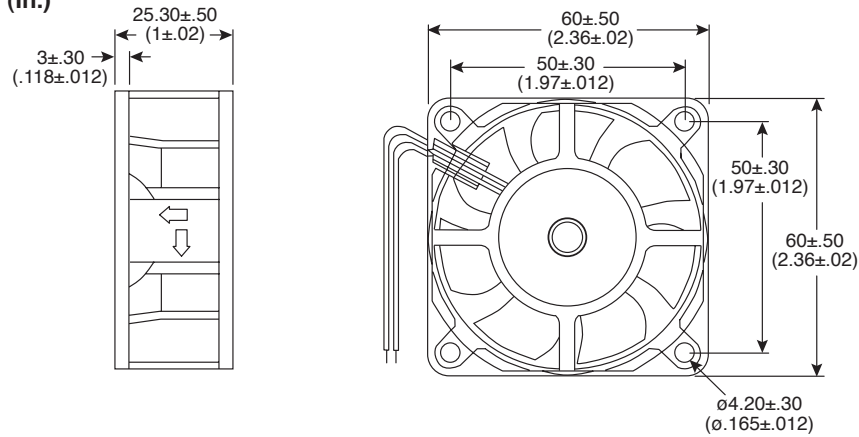
# DC Brushless Fan

433-BP602524H

Date Last Revised: 7-13-06

BI-200019

## Dimensions: mm (In.)



### Electrical Specifications:

- Insulation resistance: 10MΩ min. at 500V DC (between frame and terminal)
- Dielectric strength: 5mA max. at 500V AC 60Hz one min. (between frame and terminal)
- Voltage: 24V DC
- Operating voltage range: 20.4V-27.6V
- Rated current: 0.12A
- Rated input power: 2.88W
- Speed: 3800 r.p.m.
- Max. air flow: 19.5 CFM
- Noise: 30 dB-A

### Mechanical Specifications:

- Operating temperature: -30°C to +75°C

### Materials:

- Housing: Glass fiber reinforced plastic
- Impeller: PBT are UL 94V-0 rating
- Bearing: Ball

### Note

- RoHS Compliant by Exemption.

Available from Mouser Electronics

1-800-346-6873

www.mouser.com